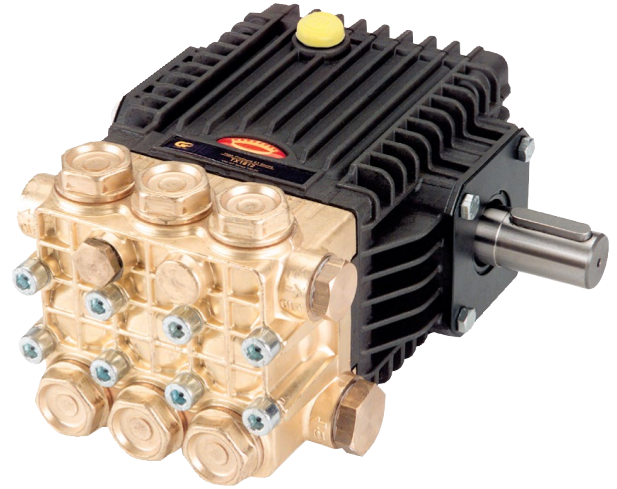


TX Series "63"

Triplex Plunger Pump, Solid Shaft

FEATURES

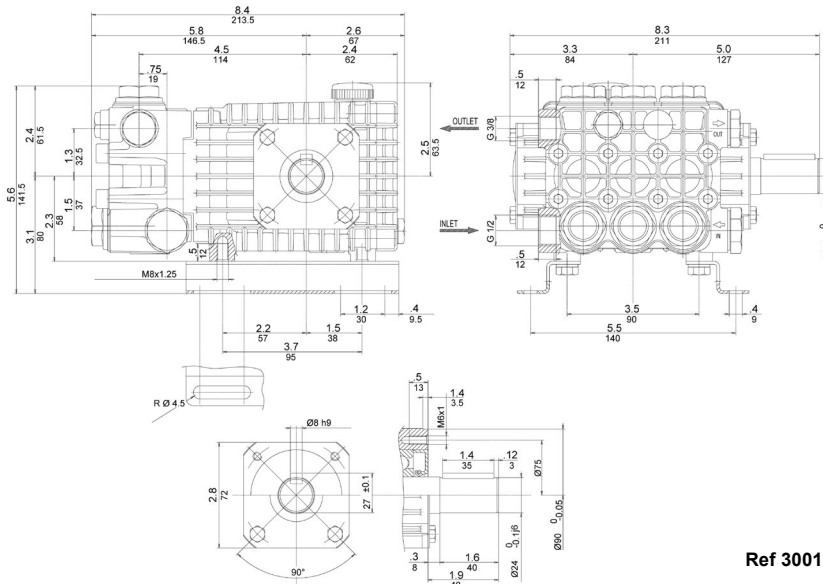
- Flex coupling and bell housing available for direct drive
- Oversized bearings for long life
- New generation seal system for longer life
- Forged brass manifold with an exclusive lifetime warranty*




SPECIFICATIONS

Pump Model	TX1810S17	TX1812S17	TX1512S17	TX1506S34	TX1508S34	TX1510S34
Maximum Volume	3.2 GPM	3.8 GPM	2.6 GPM	2.6 GPM	3.0 GPM	4.0 GPM
Maximum Discharge Pressure	2500 PSI			3000 PSI		
Horsepower	4.2 EBHP	5.2 EBHP	5.3 EBHP	5.3 EBHP	6.2 EBHP	8.2 EBHP
Maximum Pump Speed	1750 RPM			3400 RPM		
Maximum Inlet Pressure	125 PSI					
Minimum Inlet Pressure	3 Ft. Water / 2.6 in. Hg.			Flooded		
Plunger Bore (in / mm)	.709 in / 18 mm			.591 in / 15 mm		
Plunger Stroke (in / mm)	.394 in / 10 mm	.472 in / 12 mm		.256 in / 6.5 mm	.315 in / 8 mm	.394 in / 10mm
Oil Capacity	14.0 oz					
Maximum Fluid Temperature	165°F					
Inlet Port Thread	1/2 - 14 BSPP-F					
Discharge Port Thread	3/8 - 19 BSPP-F					
Shaft Diameter	.945 in / 24 mm					
Weight	19 lbs					
Dimensions	8.4 x 8.3 x 4.8 in					

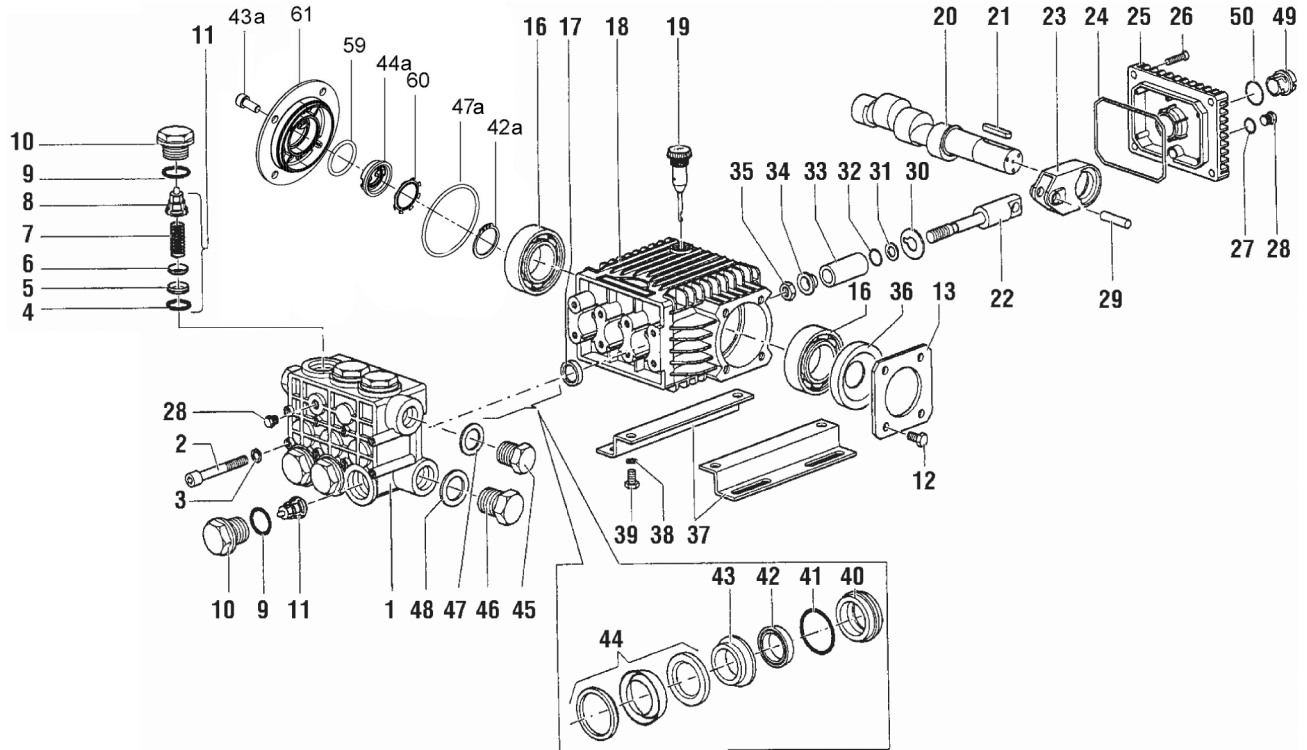
DIMENSIONAL DRAWING



 General Pump is a member of the Interpump Group

Ref 300195 Rev. H
10-17





PARTS LIST

ITEM	PART NO.	DESCRIPTION	QTY.	ITEM	PART NO.	DESCRIPTION	QTY.	ITEM	PART NO.	DESCRIPTION	QTY.
1.	63120041	Manifold, 15 mm	1	23.	63030022	Connecting Rod	3	42.	90260800	Seal, LP,15mm	3
	63120341	Manifold, 18 mm	1	24.	90392000	O-ring, Cover	1		90265000	Seal, LP,18mm	3
2.	99319200	Screw, M8 x 65	8	25.	63160022	Rear Crankcase Cover	1	42a.	90063500	Stop Ring Ø 25	1
3.	96701400	Lockwasher, M8.4	8	26.	99183700	Screw, M6 x 14	4	43.	63216070	Int. Ring,15mm	3
4.	701115	O-ring	6	27.	701013	O-ring	1		63216170	Int. Ring,18mm	3
5.	36200366	Valve Seat	6	28.	98204100	Plug, 1/4" G	2	43a.	99183700	Screw M6x14	8
6.	36200176	Valve Plate	6	29.	97733500	Connecting Rod Pin	3	44.	90261200	Packing Assy,15mm	3
7.	94737600	Spring	6	30.	96707500	Flinger Washer	3		90265500	Packing Assy,18mm	3
8.	36202551	Valve Cage	6	31.	660024	Anti-extrusion Ring	3	44a.	53210851	Oil Level Indicator	1
9.	701002	O-ring	6	32.	701009	O-ring	3	45.	98210000	Plug, 3/8" G	1
10.	98222600	Valve Cap	6	33.	52040009	Ceramic Plunger, 15mm	3	46.	98217600	Plug, 1/2" G	1
11.	36711501	Valve Assembly	6		44040109	Ceramic Plunger, 18mm	3	47.	96738000	Washer, M17.5	1
16.	91832900	Ball Bearing	2	34.	44211570	Bushing	3	47a.	90389800	O-ring Ø 56.82x2.62	1
17.	90159500	Oil Seal	3	35.	92221600	Nut, M8	3	48.	96751400	Washer, M21.5	1
18.	63010022	Crankcase	1	36.	90164100	Oil Seal	1	49.	63210051	Oil Level Indicator	1
19.	98210300	Oil Dip Stick	1	37.	50200074	Rail	2	50.	90405100	O-ring	1
	63020865	Crankshaft, 8 mm	1	38.	96701600	Lockwasher, M8	4	59.	90385900	O-ring Ø 25.07x2.62	1
20.	63021265	Crankshaft, 10 mm	1	39.	99303700	Screw, M8 x 16	4	60.	90067100	Stop Ring	1
	63021665	Crankshaft, 12mm	1	40.	63080070	Seal Retn'r, 15mm	3	61.	58150122	Side Cover	1
21.	91489200	Key	1		63080170	Seal Retn'r, 18mm	3				
22.	63050066	Plunger Guide	3	41.	90360800	O-ring	3				

* 53150001 Oil Level Indicator Assembled W/O Screws and O-ring

REPAIR KITS

KIT NO.	K123	K124	K159	K160 or K161 (15mm) (18mm)	K162 or K163 (15mm) (18mm)	K164 or K165 (15mm) (18mm)	K166 or K167 (15mm) (18mm)
ITEM NO's INCLUDED IN KIT	4, 5, 6, 7, 8 (11)	9, 10	17	42, 44	40	43	40, 41, 42, 43, 44
NUMBER OF ASSEMBLIES IN KIT	6	6	3	3	3	3	1
NUMBER OF CYLINDERS KIT WILL SERVICE	3	3	3	3	3	3	1

TORQUE SPECS*

Pos.	Ft/lb	Nm
2	14.7	20
10	95.9	130
12	7.3	10
26	7.3	10
28	14.7	20
35	11.0	15
39	14.7	20
45	29.4	40
46	29.4	40

* Decrease torque by 20% if threads are lubricated

