

WW-RC 301 VA



RC 301 VA



RC 421 VA



WW-RC 160 VA



INDUSTRIAL  
RC 520 VA



AGRAR RC 520 VA  
AGRAR RC 800 VA

Ⓧ Assembly, operation and safety notes  
for surface cleaner:

**WW-RC 160 VA**

**WW-RC 301 VA**

**RC 301 VA**

**RC 421 VA**

**Industrial RC 520 VA**

**AGRAR RC 520 VA**

**AGRAR RC 800 VA**

## Safety



### Hazard!

If these instructions are not followed there is a danger of physical injury, danger to life and material damage.

## Intended Use



Please comply with the Operating Instructions! Incorrect operation can lead to serious injury. Read the Operating Instructions before you use

the appliance.

In addition, the required safety and legal regulations for the respective type of use must be observed. This also applies to all accessories used.

## General safety notes



- The warranty claim becomes void if damages are caused due to non-observance of this user manual. No liability is assumed in case of consequential damages.
- No liability is assumed in case of damage to property and persons which are caused by incorrect use or non-compliance with the safety instructions.
- In case of all above-mentioned incidents all warranty claims lapse.
- Due to reasons of safety and approval it is not allowed to rebuild and/or change the surface cleaner.
- Please ensure an appropriate installation of the device. Therefore, please observe the user manual carefully.
- In industrial establishments the accident prevention regulations of the professional trade association for high pressure cleaner and equipment must be observed.
- As a matter of principle it is strictly forbidden that children use this device.
- This device is not designed for cleaning beds of stones and steps.
- Please do not grab under the connected and operational device.

## Description

The surface cleaner is manufactured according to the latest technical standards. It also complies with the requirements of the current European, national and international directives.

The conformity is proven and the manufacturer has the relevant declarations and corresponding documents. In order to guarantee a safe operation this user manual should be strictly adhered to.

## Intended Use

The surface cleaner is designed for cleaning surfaces in outdoor areas. It makes a quick and gentle cleaning of your surfaces round your home and company site possible. By means of the rotating arm being equipped with diagonal arranged nozzles an extensive cleaning is guaranteed. The surface cleaner is suitable for being used with high pressure cleaner.

## Cleaning and maintenance

Please do not clean this device by means of high pressure jets. Please use a customary cleaning agent. When putting down the surface cleaner please take care that the splash guard is not deformed by unevenness.

## Assembly

1. Please screw 2 nozzles (2 nozzles 1/4" M are required) into the rotating arm. Please plug your spray gun into the connection and screw it tight.
2. The high pressure cleaner can now be connected and the device is then ready for operation.

## Maintenance



### WARNING

Disconnect the surface cleaner from a pressure washer and ensure that the washer is not pressurized before performing any inspections, maintenance or adjustments to avoid any wildly spraying fluid that can easily cause personal injury and property damage.

## Replace the Hose

Disconnect the bottom of the hose from the swivel piping and the top from the handle, as shown below, then reconnect a new hose to these connections.



Hose-Swivel Connection

Hose-Handle Connection

## Replace a Nozzle

To replace a clogged, worn, or damaged nozzle, simply unscrew it from the sprayer and screw on a new or cleaned replacement nozzle. Plugged nozzles can be easily cleaned with a needle or small paper clip.



## Replace a Swivel Complete Part

To replace part of the swivel complete, simply loosen the large screw, remove the unwanted part (above or below the housing), replace it with an identical new or refurbished part and retighten the large screw.

## Replace the Swivel Complete Fixture

1. Remove the swivel piping from the top of the housing (you may have to remove the hose bottom connection first).



2. Support the swivel fixture below the housing with a rolled up cloth to avoid the fixture dropping onto the floor, possibly causing damage to it.
3. Loosen the three nuts on top of the housing around the swivel fixture.



4. Lift the housing off the swivel fixture.  
Check the nozzles on the old swivel as they may be reusable

## Replace the Swivel Filter

1. Remove the swivel piping from the cleaner:
  - a. Disconnect the hose connection from the top of the swivel.
  - b. Remove the swivel piping from the fixture in the housing.
2. Remove the bottom piece of the swivel piping.
3. Gently push a **small** screwdriver up into the bottom of the swivel to dislodge the internal components (shown below).



4. Clean the filter screen and check the O ring for wear or damage. Replace either defective component.
5. Replace the O ring, filter screen and sieve holder in the top of the swivel.
6. Re-install the swivel piping and reconnect the hose.

## Replace the Swivel O Rings

1. Disconnect the hose connection from the top of the swivel piping.
2. Remove the swivel piping from the swivel fixture in the housing.

3. Remove the bottom piece of the swivel as shown below.
4. Replace the O rings with replacements from the Easy Repair Kit.



5. Reinstall the bottom piece in the swivel piping.
6. Reinstall the swivel piping in the housing fixture.
7. Reconnect the hose to the swivel piping.

## Troubleshooting

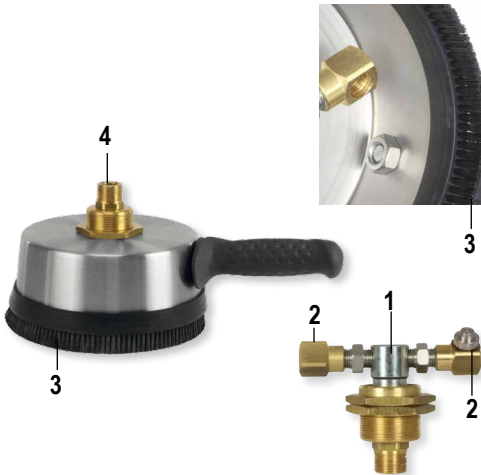
Please check the list below before addressing the problems to servicing personnel including the local dealer. If the problem continues after the following troubleshooting, please call your local dealer for future assistance.

Problem	Possible Cause	Solution
Nozzle blocked (not spraying)	Dirty nozzle	Twist the nozzle off and clean by needle or paperclip
Both nozzles are not spraying	Dirty filter	Clean or replace filter (see maintenance section)
Spray outward from sealing lip	Damaged sealing lip	Replace the sealing lip
Caster won't roll or swivel	Dirt in caster	Clean the caster

## Technical Specifications

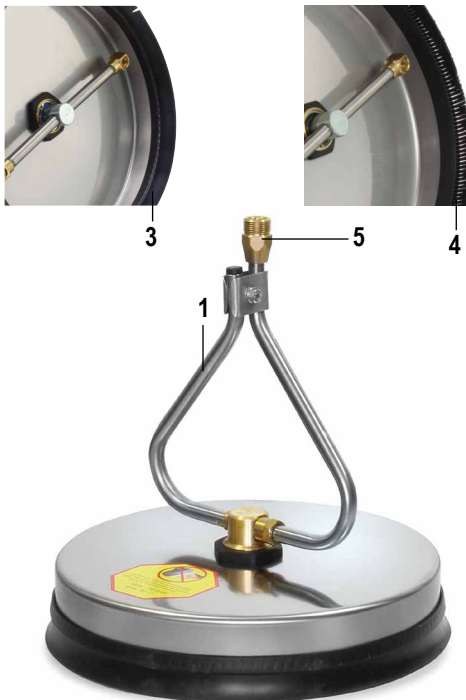
	WW-RC 160 VA	WW-RC 301 VA	RC 301 VA	RC 421 VA	Industrial RC 520 VA	AGRAR RC 520 VA	AGRAR RC 800 VA
	Part Number:		148 710 100 300	148 710 100 400	148 710 100 500	148 710 100 556	148 710 100 806
<b>Cleaning width</b>	160 mm / 6 inch	300 mm / 12.5 in	300 mm / 12 in	400 mm / 16 in	500 mm / 20 in	500 mm / 20 in	800 mm / 32 in
<b>Max. pressure</b>	350 bar / 5,000PSI	250 bar / 3,600 PSI	250 bar / 3,600 PSI	250 bar / 3,600 PSI	275 bar / 4,000 PSI	350 bar / 5,000 PSI	350 bar / 5,000 PSI
<b>Max. flow</b>	13 l/min / 3.5 GPM	13 l/min / 3.5 GPM	15 l/min / 4 GPM	19 l/min / 5 GPM	22 l/min / 6 GPM	22 l/min / 6 GPM	30 l/min / 8 GPM
<b>Optional</b>						HP-gun and lance	HP-gun and lance
<b>Material</b>	Stainless-steel						
<b>Max. temperature</b>	90 °C / 200 °F						
<b>Weight</b>	1.3 kg / 2.9 lbs	2.7 kg / 6 lbs.	3.5 kg / 7.7 lbs.	6.8 kg / 15 lbs.	16 kg / 36 lbs.	26 kg = 57 lbs.	30 kg = 66 lbs.

## Parts Diagramm WW-RC 160 VA

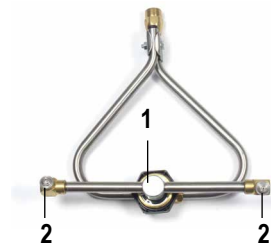


Item	Description / Order number	Quantity
1	Swivel complete Nr. 710 100 008	1
2	2x nozzles Nr. 710 101 032	2 x 1.05
3	Brush lip Nr. 710 101 394	1
4	Easy Repair Kit Nr. 710 101 004	1

## Parts Diagramm WW-RC 301 VA

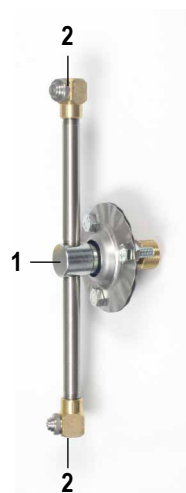
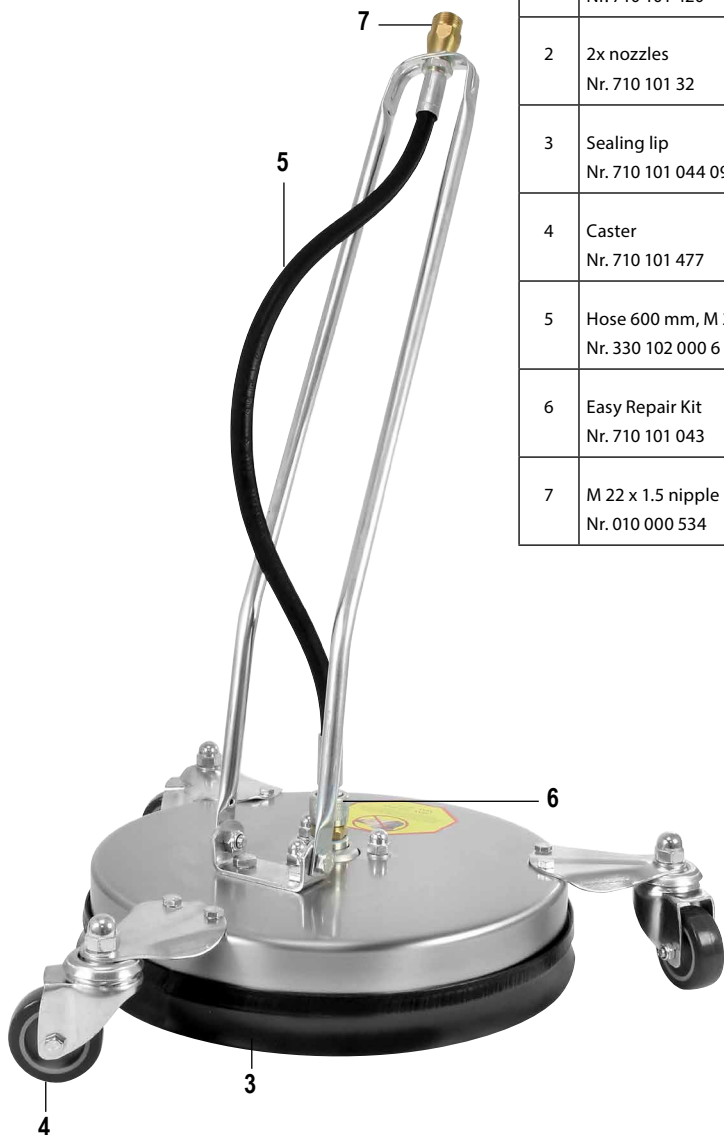


Item	Description / Order number	Quantity
1	Swivel complete Nr. 710 101 060	1
2	2x nozzles Nr. 710 101 032	2 x 1.05
3	Sealing lip Nr. 710 101 044 095	1
4	Brush lip Nr. 710 101 064	1
5	M 22 x 1.5 nipple Nr. 010 000 534	1



## Parts Diagramm RC 301 VA

Item	Description / Order number	Quantity
1	Swivel complete Nr. 710 101 420	1
2	2x nozzles Nr. 710 101 32	2 x 1.05
3	Sealing lip Nr. 710 101 044 095	1
4	Caster Nr. 710 101 477	3
5	Hose 600 mm, M 22 x 1.5 Nr. 330 102 000 6	1
6	Easy Repair Kit Nr. 710 101 043	1
7	M 22 x 1.5 nipple Nr. 010 000 534	1

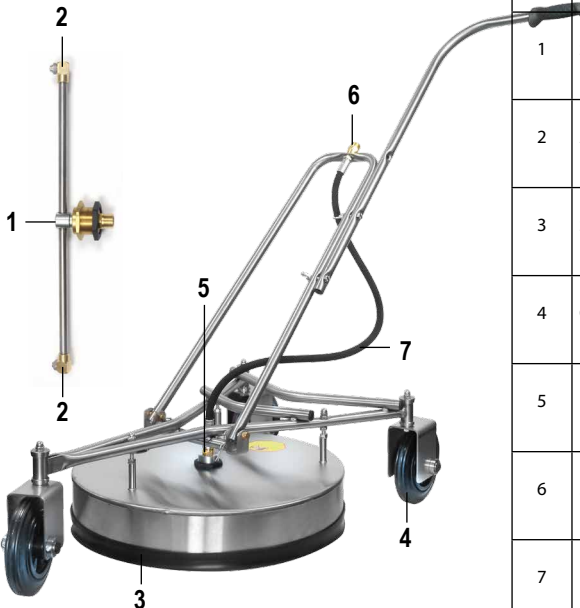


## Parts Diagramm RC 421 VA



Item	Description / Order number	Quantity
1	Swivel complete Nr. 710 100 002	1
2	2 x nozzles Nr. 710 101 032	2 x 1.05
3	Sealing lip Nr. 710 101 044 133	1
4	Caster Nr. 710 101 477	4
5	Hose 600 mm, M 22 x 1.5 Nr. 330 102 000 6	1
6	Easy Repair Kit Nr. 710 101 043	1
7	M 22 x 1.5 nipple Nr. 010 000 534	1

## Parts Diagramm RC 520 VA



Item	Description / Order number	Quantity
1	Swivel complete Nr. 710 100 004	1
2	2 x nozzles Nr. 710 101 007	2 x 1.3
3	Sealing lip Nr. 710 101 044 163	1
4	Caster complete component Nr. 710 101 375	3
5	Easy Repair Kit Nr. 710 101 004	1
6	M 22 x 1.5 nipple Nr. 010 000 534	1
7	Hose 850 mm, M 22 x 1.5 Nr. 345 102 000 85	1

## Parts Diagramm AGRAR RC 520 VA / AGRAR RC 800 VA



Item	Description / Order number	Quantity
1	Swivel complete for AGRAR RC 520 VA Nr. 710 100 004	1
2	Swivel complete for AGRAR RC 800 VA Nr. 710 101 031	1
3	2 x nozzles for AGRAR RC 520 VA Nr. 710 101 007	2 x 1.3
4	4 x nozzles for AGRAR RC 800 VA Nr. 710 101 032	4 x 1.05
5	Sealing lip for AGRAR RC 520 VA Nr. 710 101 044 163	1
6	Sealing lip for AGRAR RC 800 VA Nr. 710 101 381	1
7	Caster complete component Nr. 710 101 029	2
8	Twin caster Nr. 710 101 030	1
9	Easy Repair Kit Nr. 710 101 004	1
10	Hose for AGRAR RC 520 VA Nr. 345 100 001	1
11	Hose for AGRAR RC 800 VA Nr. 345 100 001 2	1