

8 7 6 5 4 3 2 1

F

F

E

E

D

D

C

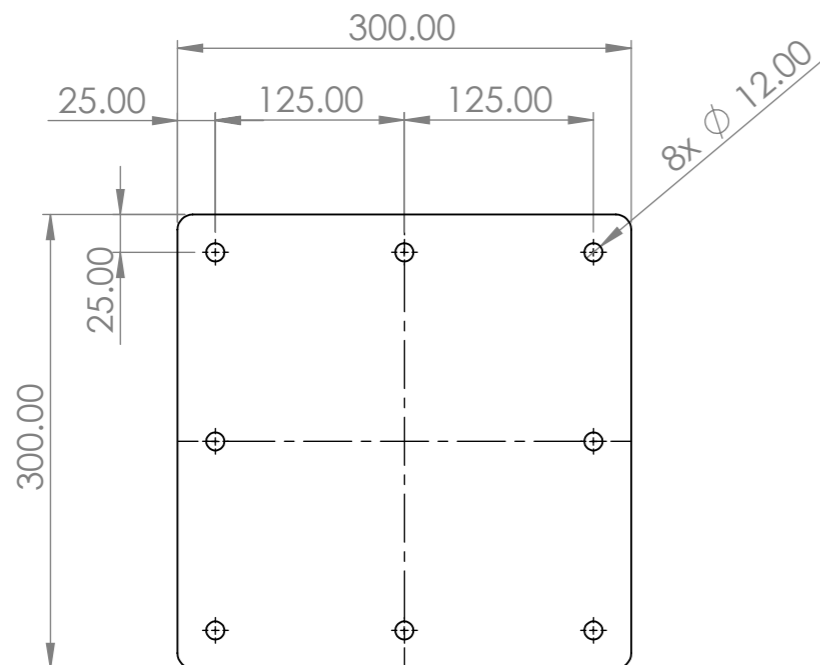
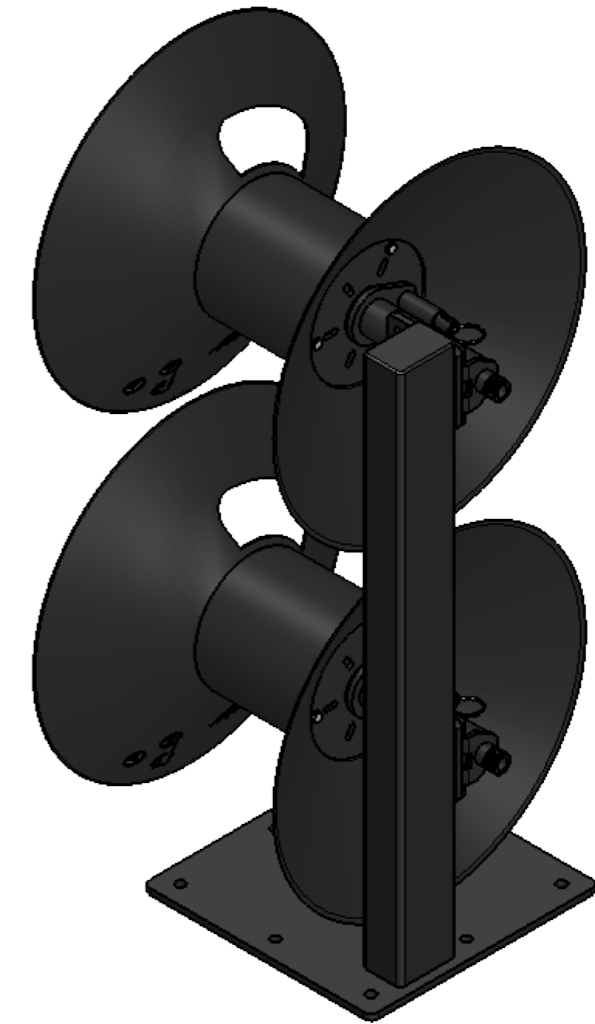
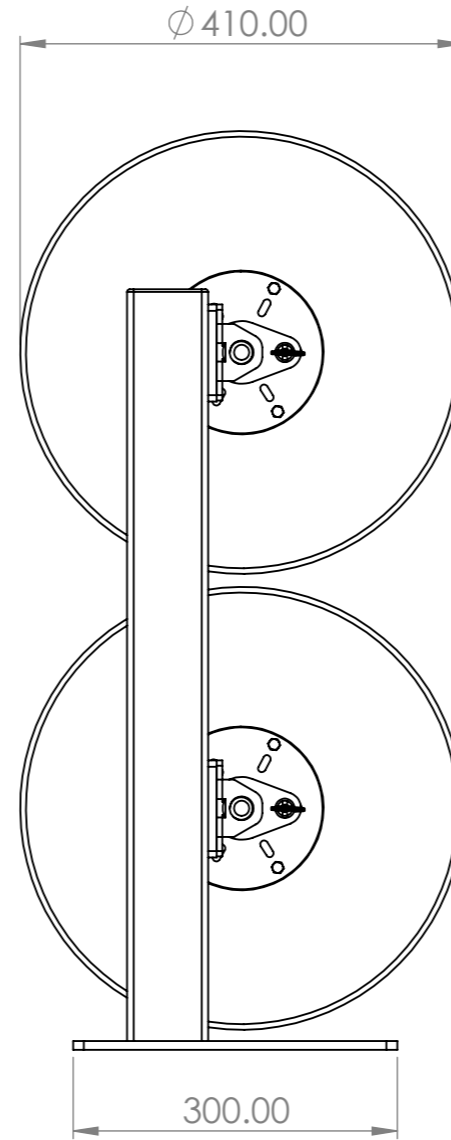
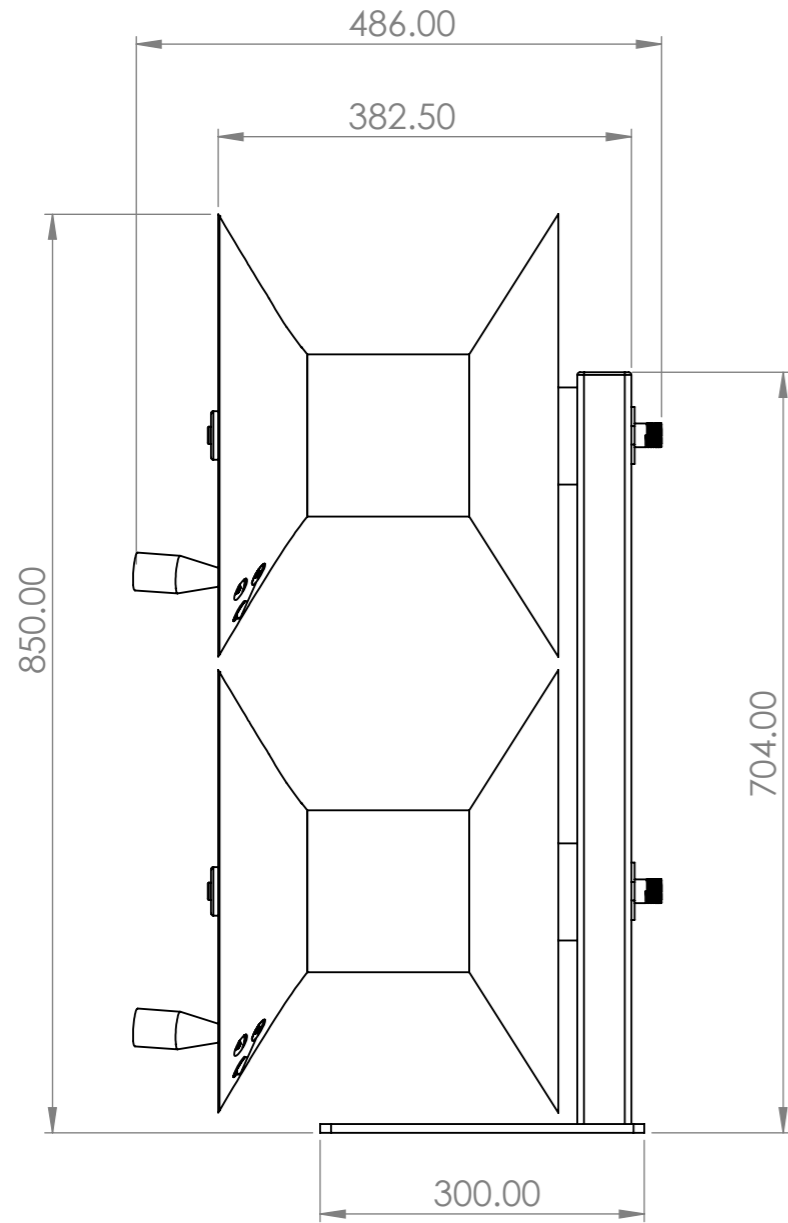
C


B

B

A

A



UNLESS OTHERWISE SPECIFIED: DIMENSIONS ARE IN MILLIMETERS SURFACE FINISH: TOLERANCES: LINEAR: ANGULAR:				FINISH: Powder Coated (Black)		DEBURR AND BREAK SHARP EDGES		 125 85.402.110 Hose Stacker - Stand & Reels	
DRAWN Kishwar A		SIGNATURE		DATE 20/12/22		REVISIONS			
CHK'D Dominic R								DESCRIPTION G.A. dwg	
APPVD Daryl B								A3	
MFG								SCALE:1:10	
Q.A						WEIGHT:		SHEET 1 OF 1	

8 7 6 5 4 3 2 1