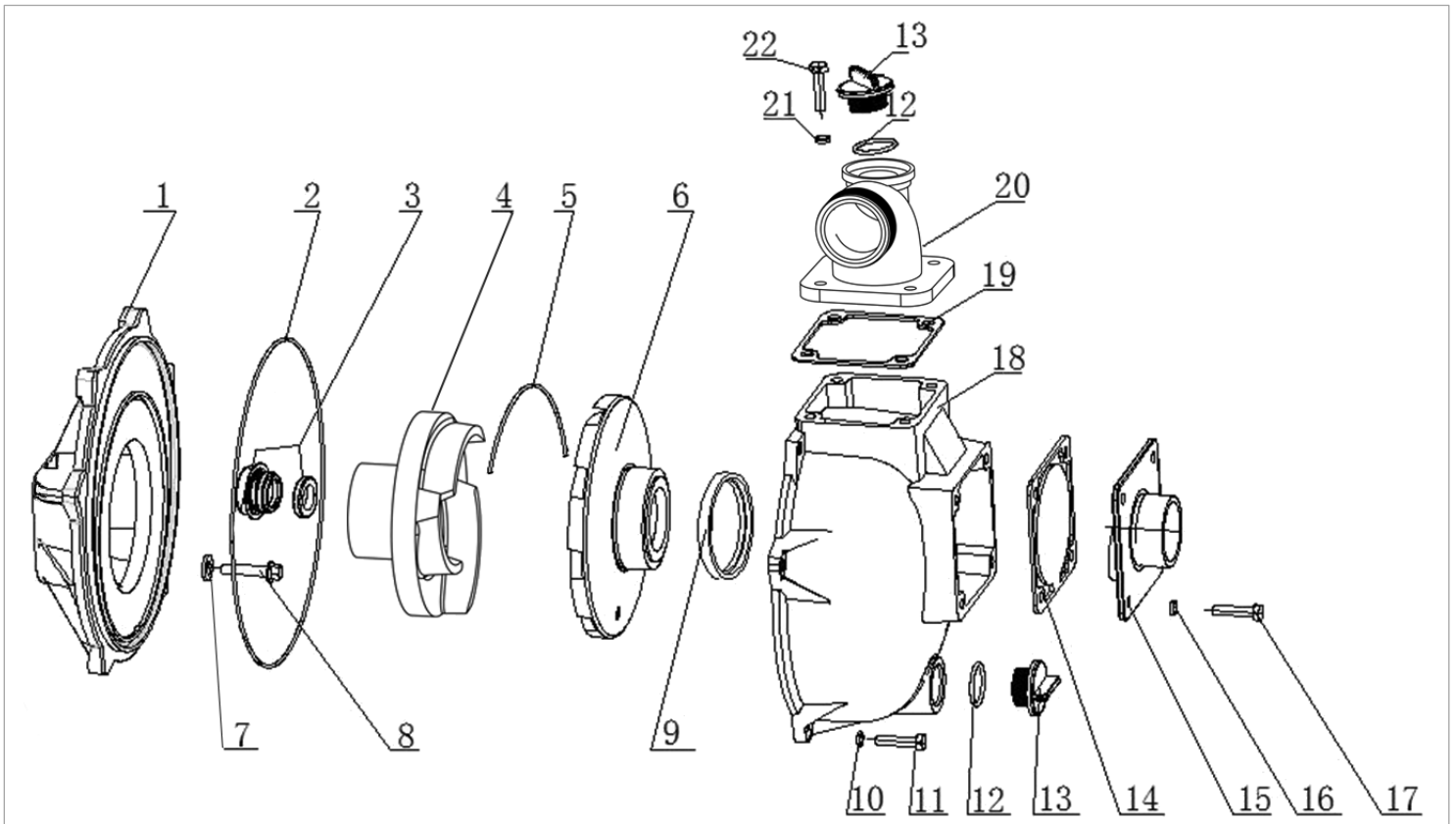


## 2" Transfer Pump, P shaft



NO.	Description	Part number	QTY
1	Back cover	85.572.564	1
2*	Body O-ring	85.572.565	1
3*	Mechanical seal	85.572.566	1
4	Impeller	85.572.608	1
5*	Volute rope rubber	85.572.606	1
6	Volute	85.572.607	1
7	Washer		4
8	Mount bolt		4
9*	Volute seal	85.572.572	1
10	Washer		6
11	Body bolt		6
12	Priming/Drain O-ring	85.572.573	2
13	Priming/Drain cap		2

NO.	Description	Part number	QTY
14*	Check valve	85.572.575	1
15	Suction cover	85.572.576	1
16	Washer		4
17	Bolt		4
18	Pump body	85.572.577	1
19*	Outlet gasket	85.572.578	1
20	Outlet	85.572.587	1
21	Washer		4
22	Bolt		4
*	Seal kit inc items*	85.572.609	1
*	Viton seal kit inc items*	85.572.586V	1
	Wet end Complete	85.572.624	1