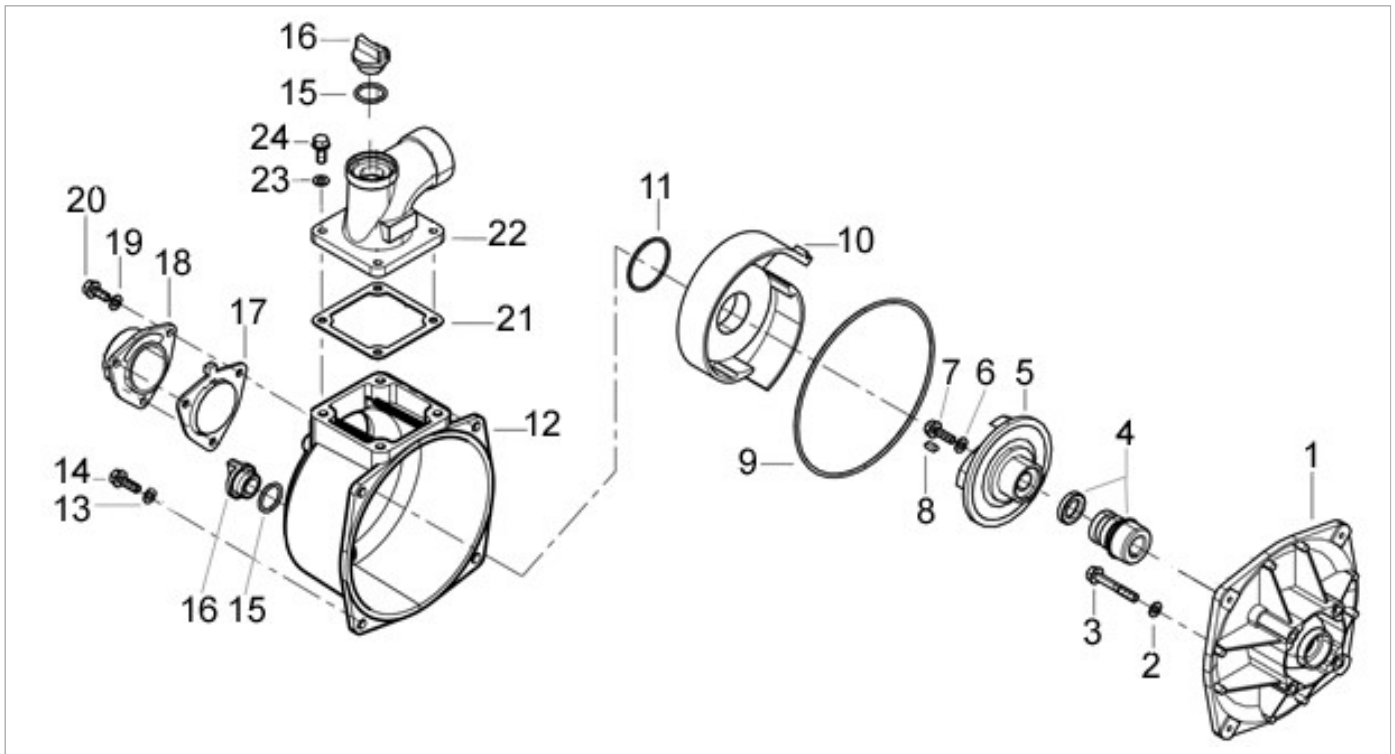


2" Transfer Pump, Q shaft



NO.	Description	Part number	QTY
1	Back plate	85.572.262	1
2	Washer		4
3	Bolt		4
4*	Mechanical seal	85.572.240	1
5	Impeller	85.572.260	1
6	Impeller washer		1
7	Impeller bolt		1
8	Impeller key		1
9*	Body O-ring	85.572.270	1
10	Volute	85.572.267	1
11*	Volute O-ring	85.572.268	1
12	Pump body	85.572.261	1
13	Washer		4
14	Bolt		4

NO.	Description	Part number	QTY
15	Priming/drain O-ring	85.572.246	2
16	Priming/drain cap		2
17*	Check valve	85.572.265	1
18	Suction cover	85.572.266	1
19	Washer		3
20	Bolt		3
21*	Outlet gasket	85.572.263	1
22	Outlet elbow	85.572.264	1
23	Washer		4
24	Bolt		4
*	Seal kit inc items*	85.572.269	1
*	Viton seal kit inc items*	85.572.269V	1
	Wet end Complete	85.572.219	1