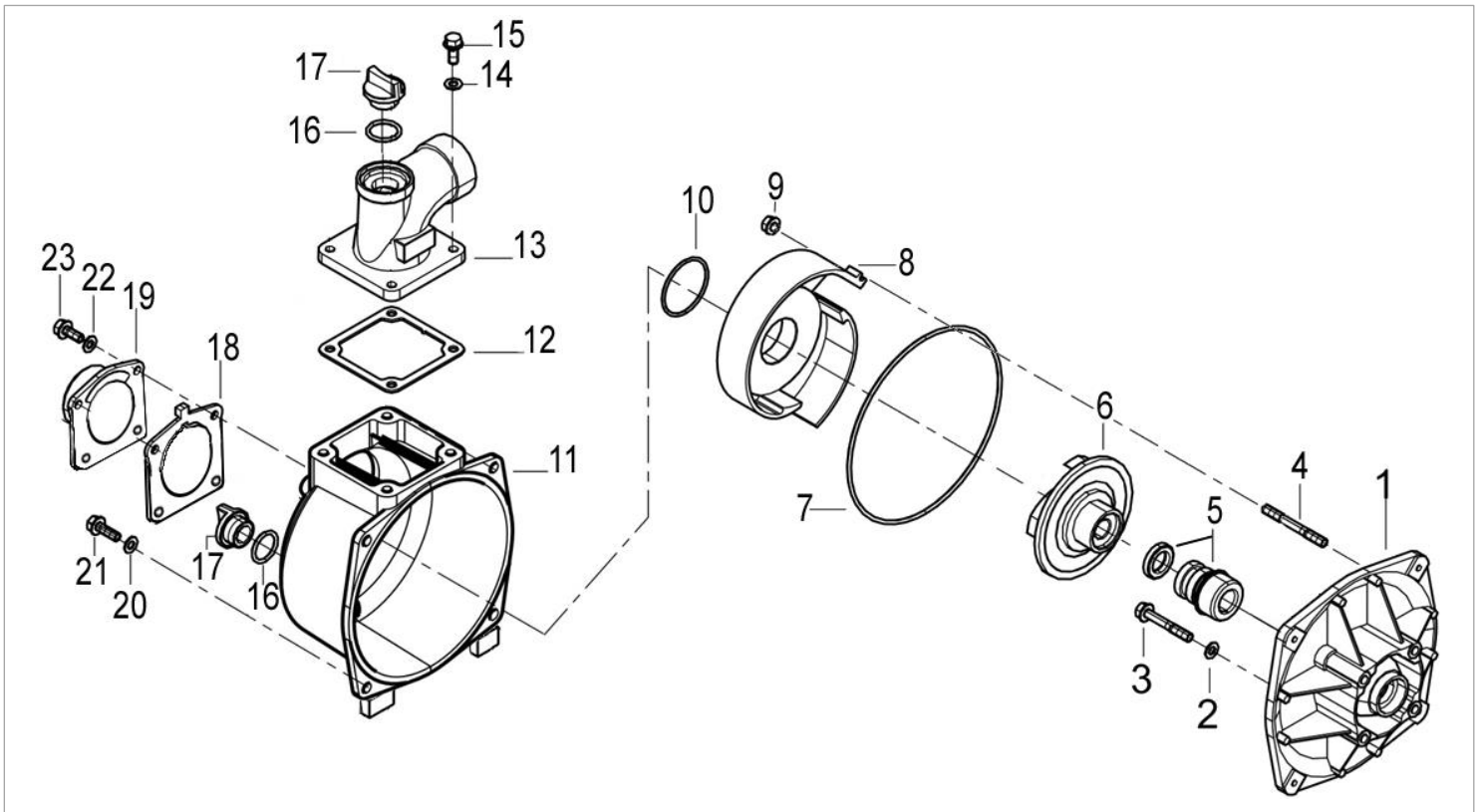


3" Transfer Pump, P Shaft



NO.	Description	Part number	QTY
1	Back Plate	85.572.637H	1
2	Washer		4
3	Mounting bolt		4
4*	Volute stud		3
5	Mechanical seal		1
6	Impeller	85.572.551H	1
7*	Body O-ring		1
8	Volute	85.572.640H	1
9	Volute nut		3
10*	Volute seal		1
11	Pump body	85.572.638H	1
12*	Outlet gasket		1
13	Outlet elbow	85.572.639H	1

NO.	Description	Part number	QTY
14	Washer		4
15	Bolt		4
16	Priming/Drain O-ring	85.572.246	2
17	Priming/Drain cap		2
18*	Check valve		1
19	Suction cover	85.572.553H	1
20	Washer		4
21	Body bolt		4
22	Washer		3
23	Suction Bolt		3
*	Seal kit inc items*	85.572.550H	1
	Wet end Complete	85.572.552H	1