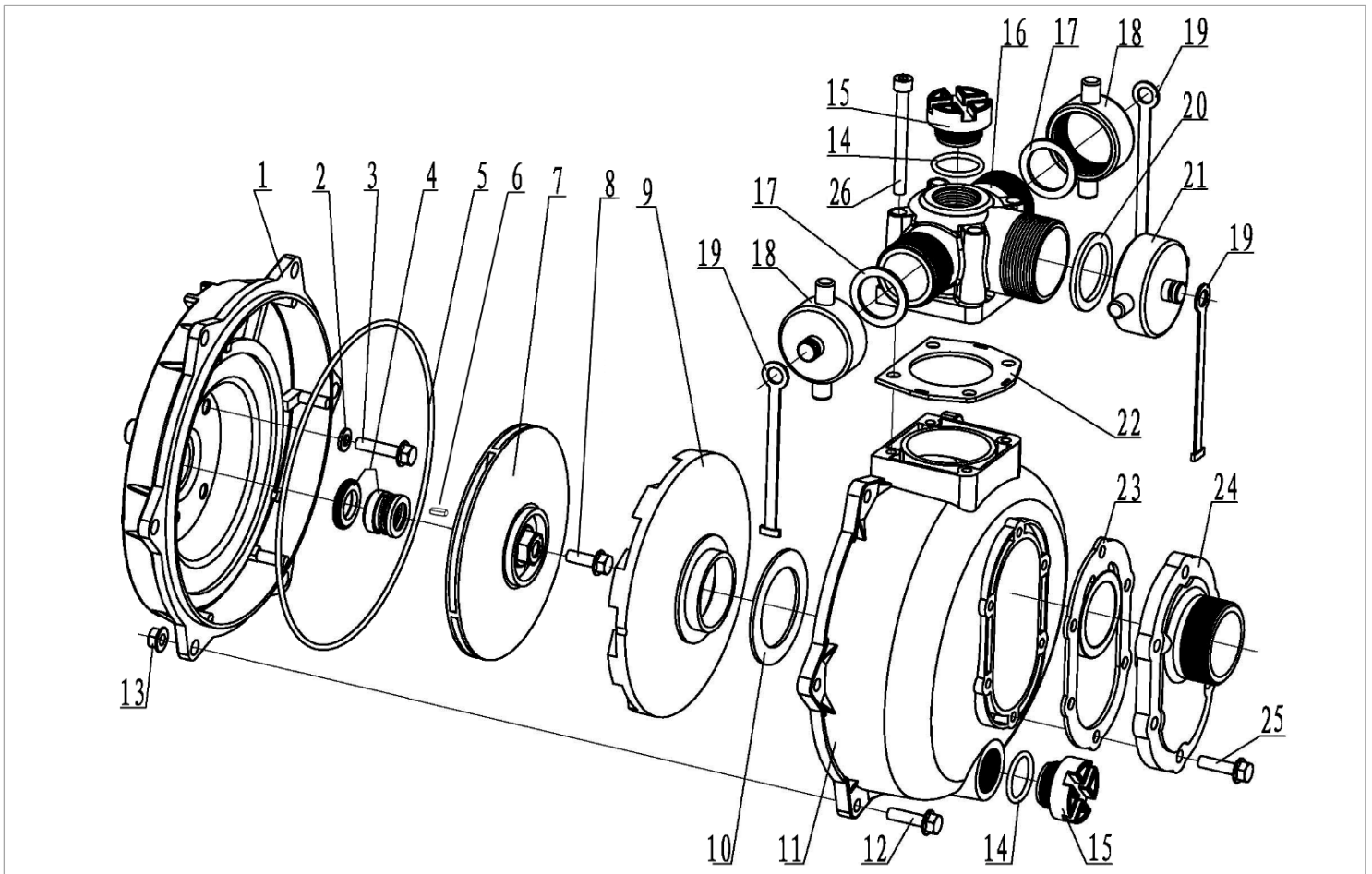


## 2" Single Impeller HP Pump, Q Shaft



NO.	Description	Part number	QTY
1	Back plate	85.572.131	1
2	Washer		4
3	Mounting bolt		4
4	Mechanical seal	85.572.123	1
5*	Body O-ring	85.572.104	1
6	Key		1
7	Impeller	85.572.141	1
8	Impeller bolt		1
9	Diffuser	85.572.134	1
10*	O-ring	85.572.139	2
11	Pump body	85.572.103	1
12	Body bolt		6
13	Body nut		6
14*	Priming/Drain O-ring	85.572.129	2
15	Priming/Drain cap		2

NO.	Description	Part number	QTY
16	3 Way outlet	85.572.135	1
17	1" Cap seal	85.572.122	2
18	1" Cap		2
19	Cap retainer	85.572.122	1
20	1.5" Cap seal	85.572.122	1
21	1.5" Cap		1
22*	Outlet gasket	85.572.119	1
23*	Check valve	85.572.136	1
24	Suction cover	85.572.137	1
25	Bolt		6
26	Outlet bolt		4
*	Seal kit inc items*	85.572.143A	1
*	Viton seal kit inc items*	85.572.196V	1
	Wet end Complete	85.572.214	1