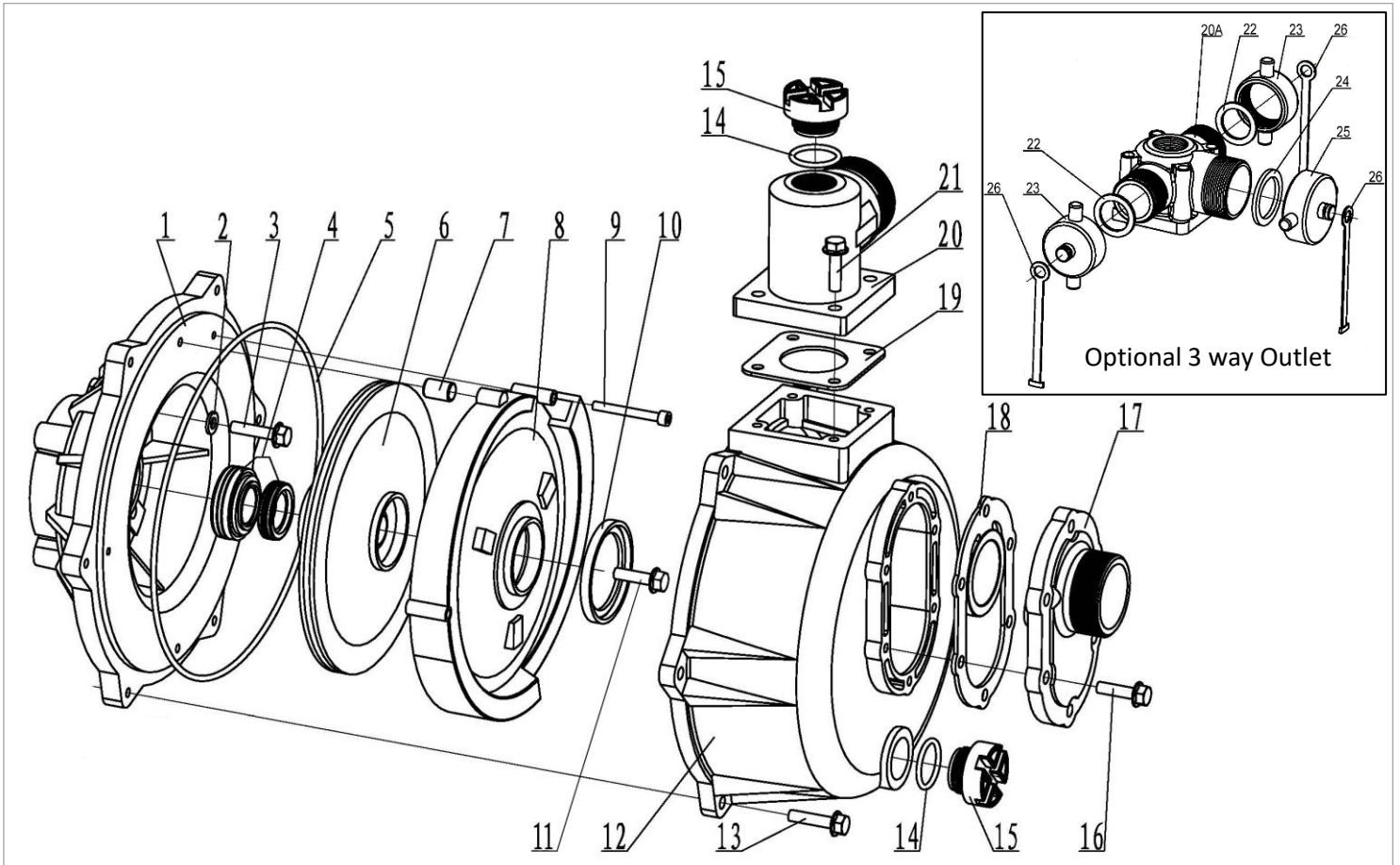


## 2" Single Impeller HP Pump, 1" Q Shaft



NO.	Description	Part number	QTY
1	Back plate	85.572.146	1
2	Washer		4
3	Mounting bolt		4
4*	Mechanical seal	85.572.147	1
5*	Body O-ring	85.572.148	1
6	Impeller	85.572.156	1
7	Locating pin	85.572.149	2
8	Diffuser	85.572.150	1
9	Diffuser bolt	85.572.151	2
10*	Diffuser seal	85.572.152	1
11	Impeller bolt		1
12	Pump body	85.572.153	1
13	Body bolt		6
14	Priming/Drain O-ring	85.572.129	1
15	Priming/Drain cap		1

NO.	Description	Part number	QTY
16	Suction bolt		6
17	Suction cover	85.572.137	1
18*	Check valve	85.572.136	1
19*	Outlet gasket	85.572.119	1
20	2" Outlet	85.572.157	1
20A	3 way Outlet	85.572.135	1
21	Outlet bolt		4
22	1" Cap seal	85.572.122	2
23	1" Cap		2
24	1.5" Cap seal	85.572.122	1
25	1.5" Cap		1
26	Cap retainer	85.572.122	1
*	Seal kit inc items*	85.572.158	1
	Wet end Complete	85.572.215	1