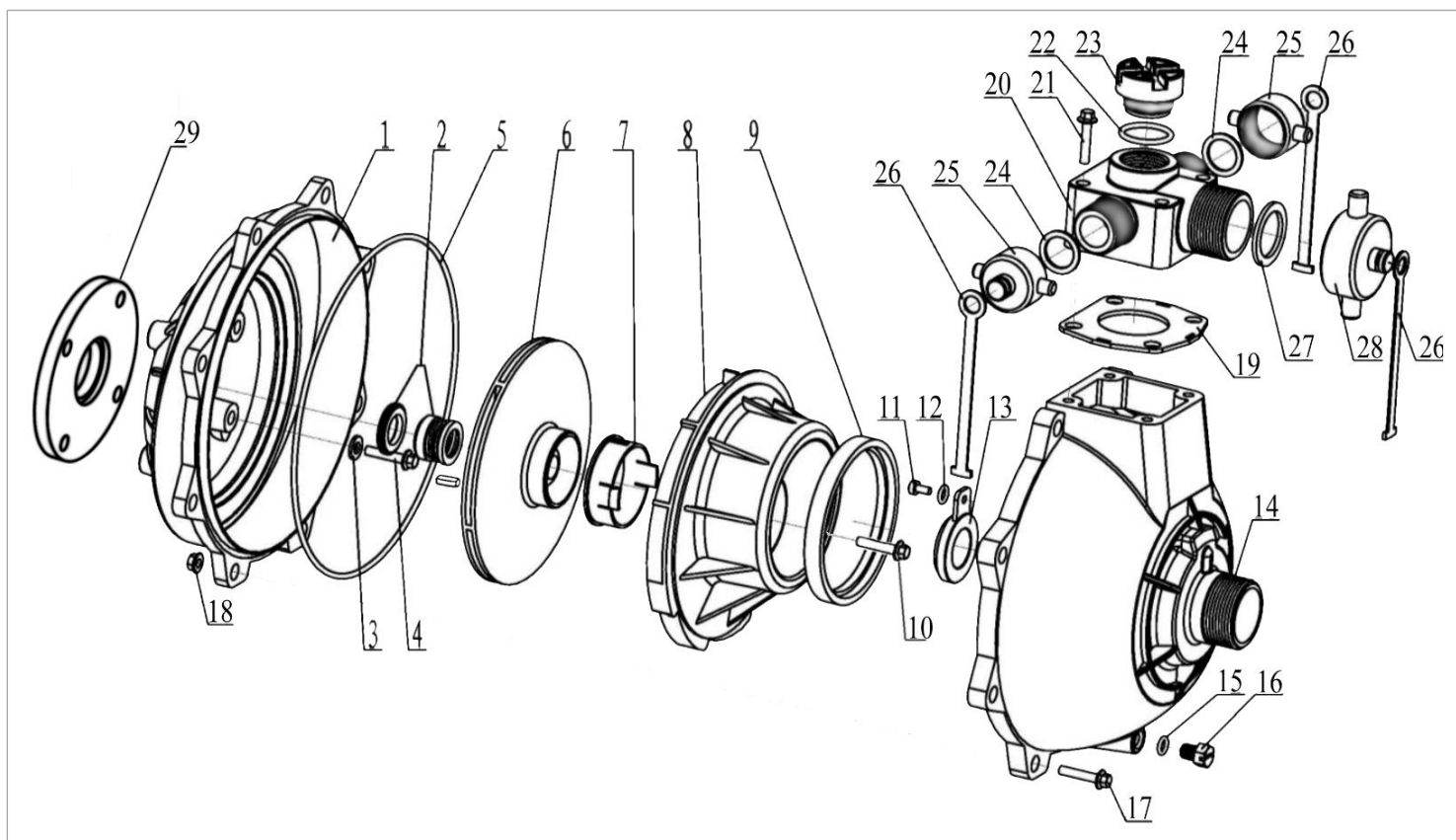


1.5" Single Impeller HP Pump



NO.	Description	Part number	QTY
1	Back Plate	85.572.108	1
2*	Mechanical seal	85.572.123	1
3	Seal washer		4
4	Mounting bolt		4
5*#	Body O-ring	85.572.104	1
6	Impeller – 'Q' Shaft	85.572.124	1
7	Diffuser bush	85.572.125	1
8	Diffuser	85.572.127	1
9*#	Diffuser seal	85.572.113	1
10	Impeller bolt		1
11	Check valve screw		1
12	Check valve washer		1
13*#	Check valve	85.572.118	1
14	Pump body	85.572.117	1
15	O-ring		1
16	Drain plug	85.572.116	1
17	Body bolt		8

NO.	Description	Part number	QTY
18	Body nut		8
19*#	Outlet Flange gasket	85.572.119	1
20	3 way outlet	85.572.120	1
21	Outlet flange bolts		4
22*#	O-ring 30x3.55		1
23	Priming cap	85.572.129	1
24*#	1" Outlet cap seal		2
25	1" Outlet cap	85.572.122	2
26	Outlet cap retainer	85.572.122	3
27*#	1.5" Outlet cap seal		1
28	1.5" Outlet cap	85.572.122	1
29	Mounting plate	85.572.126	1
*	Seal kit inc items*	85.572.100A	1
#	Seal kit inc items#	85.572.100B	1
*	Viton seal kit inc items*	85.572.195V	1
	Wet end complete Q Shaft	85.572.210	1