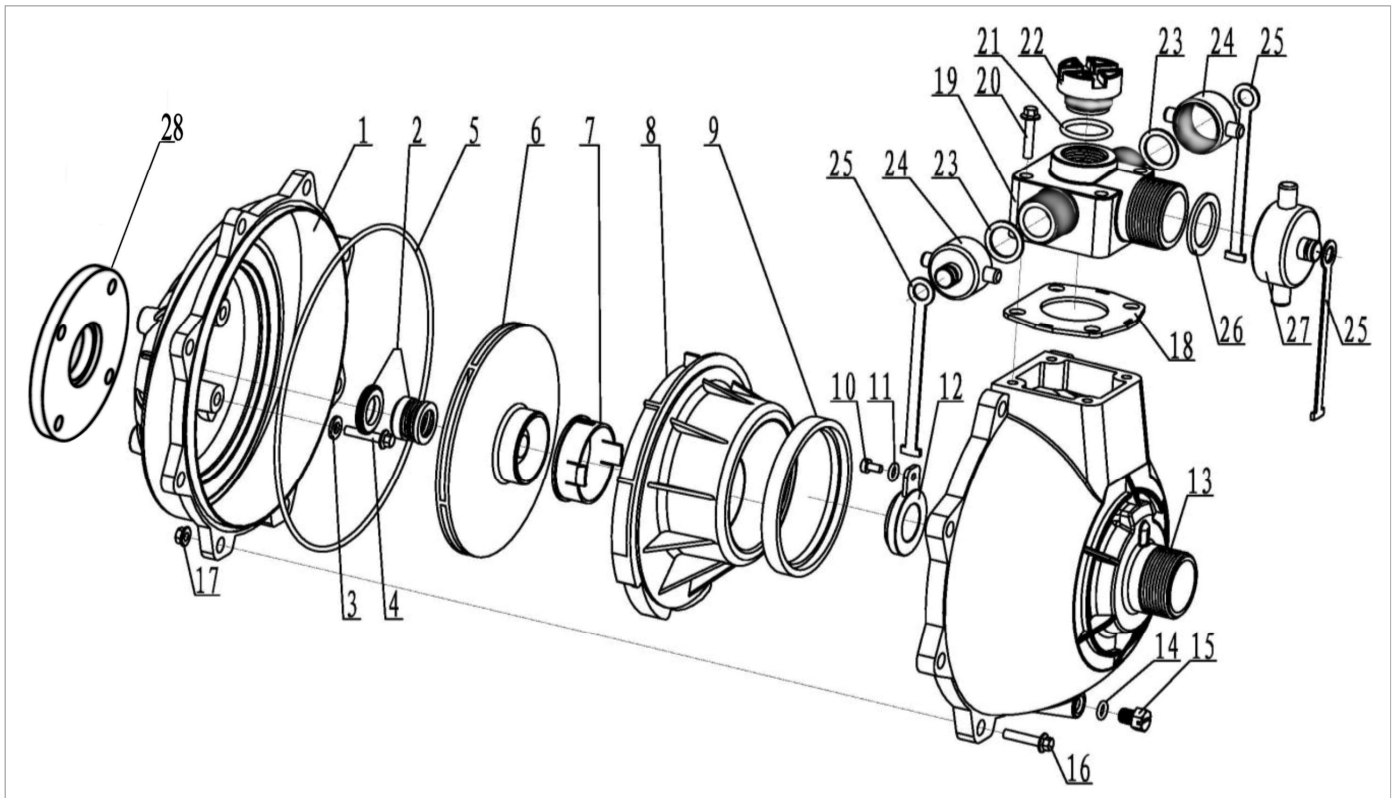


1.5" Single Impeller HP Pump



NO.	Description	Part number	QTY
1	Back Plate	85.572.108	1
2*	Mechanical seal	85.572.123	1
3	Seal washer		4
4	Mounting bolt		4
5*#	Body O-ring	85.572.104	1
6	Impeller – 'Q' Shaft	85.572.124	1
6	Impeller – 'P' Shaft	85.572.159	
7	Diffuser bush	85.572.125	1
8	Diffuser	85.572.127	1
9*#	Diffuser seal	85.572.113	1
10	Check valve screw		1
11	Check valve washer		1
12*#	Check valve	85.572.118	1
13	Pump body	85.572.117	1
14	O-ring	85.572.116	1
15	Drain plug		1
16	Body bolt		8

NO.	Description	Part number	QTY
17	Body nut		8
18*#	Outlet Flange gasket	85.572.119	1
19	3 way outlet	85.572.120	1
20	Outlet flange bolts		4
21*#	O-ring 30x3.55	85.572.129	1
22	Priming cap		1
23*#	1" Outlet cap seal	85.572.122	2
24	1" Outlet cap		2
25	Outlet cap retainer	85.572.122	3
26*#	1.5" Outlet cap seal	85.572.122	1
27	1.5" Outlet cap		1
28	Mounting plate	85.572.126	1
*	Seal kit inc items*	85.572.100A	1
#	Seal kit inc items#	85.572.100B	1
*	Viton seal kit inc items*	85.572.195V	1
	Wet end complete Q Shaft	85.572.210	1
	Wet end complete P Shaft	85.572.369	1