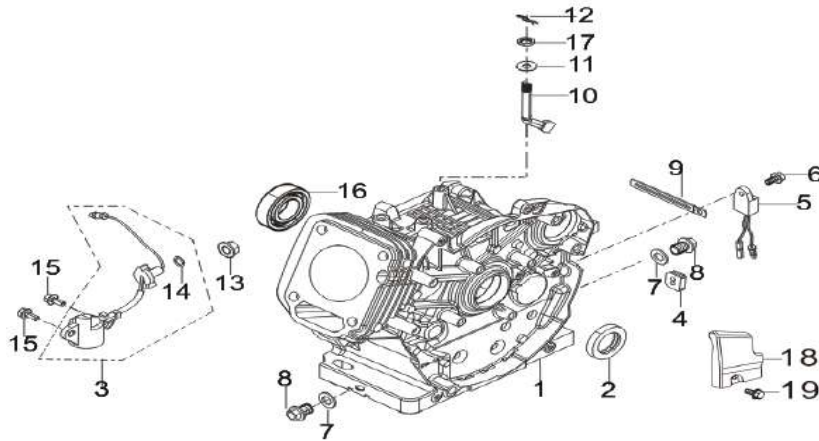


123 G8000-RELT PARTS LIST

01/06/2022

FIG.1 CRANKCASE. / GEAR ASSY, GOVERNOR. (E01)

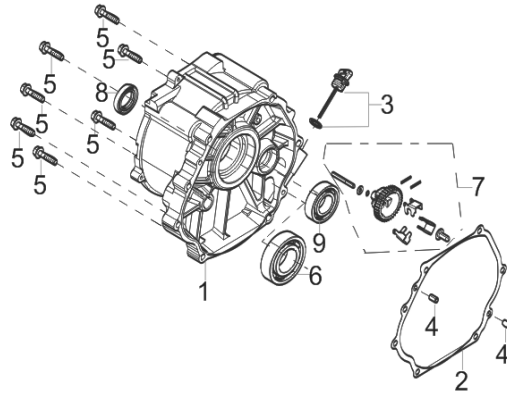


REF.NO.	PART NO.	DESCRIPTION	Q'TY
E01-1	11310-Z190710-0BA0	CRANKCASE SUBASSEMBLY.	1
E01-2	90682-Z310110-00A0	SEAL, OIL	1
E01-3	37060-Z080120-0000	SENSOR, ENGINE OIL	1
E01-4	28101-Z080110-0000	PLUG, RUBBER	1
E01-5	37050-Z010210-0000	PROTECTOR, OIL	1
E01-6	90001-0612-01A0	123 G3800-RELT PARTS LIST	1
E01-7	90412-Z080110-00A0	FLAT WASHER	2
E01-8	11007-Z080110-00A0	BOLT, DRAIN PLUG	2
E01-9	90684-Z030120-0000	WIRE CLIP	1
E01-10	16061-Z100110-00A0	ARM, GOVERNOR	1
E01-11	90412-Z080210-00A0	FLAT WASHER	1
E01-12	90501-Z010110-00A0	COTTER PIN	1
E01-13	90305-Z010210-01A0	HEXAGON NUT WITH FLANGE	1
E01-15	90001-0616-01A0	BOLT	2
E01-16	90548-0202-CLA0	DEEP GROOVE BALL BEARING	1
E01-17	90682-Z100210-0000	SEAL, OIL	1
E01-18	37056-Y500110-0000	OIL PROTECTOR COVER	1
E01-19	90001-0625-03	HEXAGON SOCKET FLANGE FACE BOLT - SMALL SERIES	1

123 G8000-RELT PARTS LIST

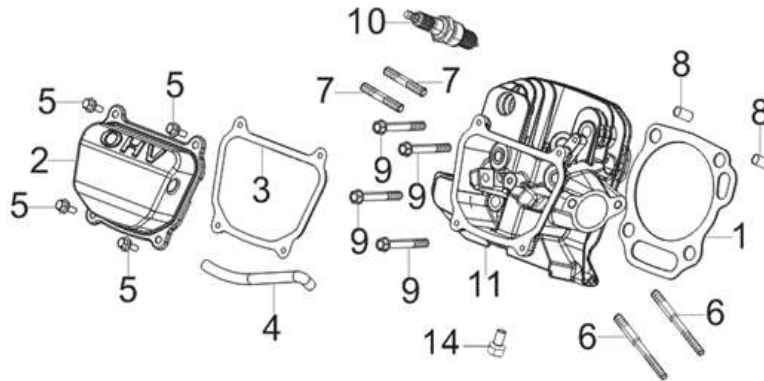
01/06/2022

FIG.2 COVER SUBASSEMBLY, CRANKCASE (E02)



REF.NO.	PART NO.	DESCRIPTION	Q'TY
E02-1	11411-Z6L0110-0BA0	COVER, CRANKCASE	1
E02-2	11001-Z100120-00A0	GASKET, CRANKCASE	1
E02-3	15010-Z080330-Q500	DIPSTICK SUBASSEMBLY, OIL	1
E02-4	90502-0812-00A0	POSITION PIN	2
E02-5	90001-0840-01A0	BOLT	7
E02-6	90548-0207-CLA0	DEEP GROOVE BALL BEARING	1
E02-7	16400-Z100110-00A0	GEAR ASSY, GOVERNOR	1
E02-8	90682-Z310110-00A0	SEAL, OIL	1
E02-9	90548-0202-CLA0	DEEP GROOVE BALL BEARING	1

FIG.3 HEAD SUBASSEMBLY, CYLINDER / PLUG, SPARK (E03)

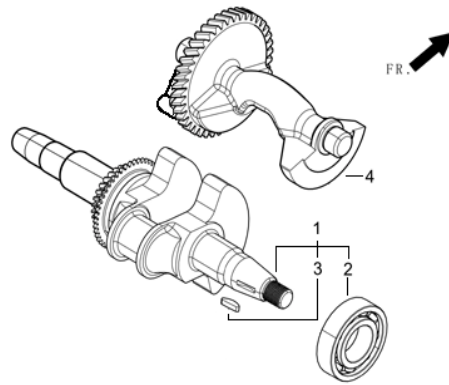


REF.NO.	PART NO.	DESCRIPTION	Q'TY
E03-1	12131-Z190410-00A0	GASKET, CYLINDER HEAD	1
E03-2	12410-Z0J0211-00A0	COVER SUBASSEMBLY, CYLINDER HEAD	1
E03-3	12004-Z0J0510-00A0	CYLINDER HEAD COVER GASKET	1
E03-4	17004-Z080710-0000	TUBE, BREATHER	1
E03-5	90001-0614-01A0	BOLT	4
E03-6	90204-Z100110-00A0	STUD BOLT	2
E03-7	90203-Z010110-0000	STUD BOLT	2
E03-8	90502-1220-00A0	POSITION PIN - TYPE A	2
E03-9	12003-Z080110-00A0	CYLINDER HEAD BOLT	4
E03-10	30010-Z010110-00A0	PLUG, SPARK	1
E03-11	12140-Z0J0411-0BA0	HEAD SUBASSEMBLY, CYLINDER	1
E03-14	37009-Z190110-0000	SENSOR, TEMPERATURE	1

123 G8000-RELT PARTS LIST

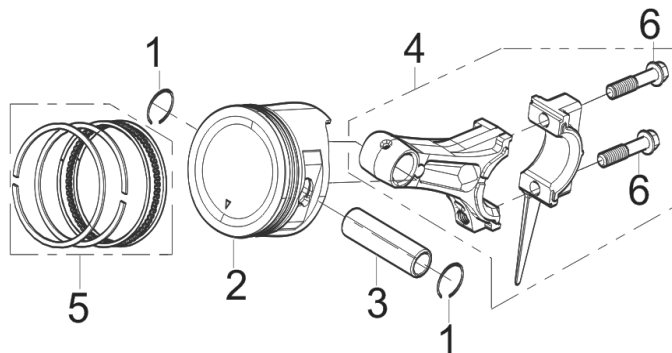
01/06/2022

FIG.4 ROD,CRANKSHAFT CONNETING (E04)



REF.NO.	PART NO.	DESCRIPTION	Q'TY
E04-1	13300-Z190110-CL00	CRANKSHAFT ASSY.	1
E04-4	13400-Z190320-00A0	BALANCING SHAFT	1

FIG.5 RING SET,OIL / ROD,CRANKSHAFT CONNETING (E05)

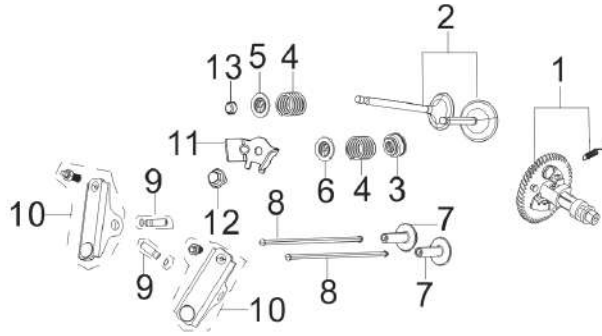


REF.NO.	PART NO.	DESCRIPTION	Q'TY
E05-1	13122-Z100110-00A0	CLIP, PISTON PIN	2
E05-2	13111-Z0J0110-00A0	PISTON	1
E05-3	13121-Z100110-00A0	PIN, PISTON	1
E05-4	13010-Z190120-00A0	ROD, CONNECTING	1
E05-5	13200-Z190210-00A9	RING ASSY, PISTON	1

123 G8000-RELT PARTS LIST

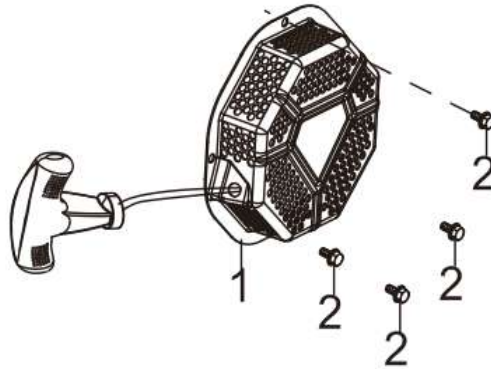
01/06/2022

FIG.6 TRAIN,VALVE / CAMSHAFT SUBASSEMBLY (E06)



REF.NO.	PART NO.	DESCRIPTION	Q'TY
E06-1	14200-Z190620-00A9	CAMSHAFT ASSY.	1
E06-2	12110-Z0J0310-00A0	VALVES SET	1
E06-3	12101-Z810110-00A0	GUIDE, SEAL	1
E06-4	12103-Z990110-00A0	SPRING, VALVE	2
E06-5	12107-Z010110-00A0	RETAINER, EXHAUST VALVE	1
E06-6	12107-Z010110-00A0	RETAINER, EXHAUST VALVE	1
E06-7	14081-Z080110-00A0	TAPPET, VALVE	2
E06-8	14070-Z0J0110-00A0	LIFTER SUBASSEMBLY, VALVE	2
E06-9	14318-Z990111-00A0		2
E06-10	14310-Z0J0110-00A0	ROCKER, VALVE	2
E06-11	12419-Z950311-00A0	CYLINDER HEAD COVER PIN LIMIT PLATE	1
E06-12	90001-0612-01A0	BOLT	1
E06-13	12104-Z010110-00A0	ROTATOR, VALVE	2

FIG.7 STARTER,RECOIL (E07)

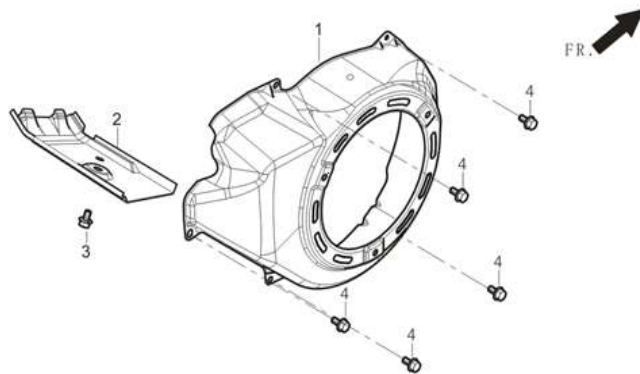


REF.NO.	PART NO.	DESCRIPTION	Q'TY
E07-1	28200-Z190610-H701	STARTER ASSY, RECOIL	1
E07-2	90251-0608-01		4

123 G8000-RELT PARTS LIST

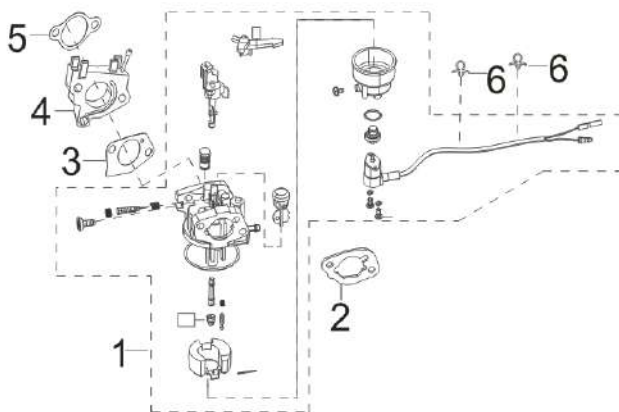
01/06/2022

FIG.8 SHROUD / SHIELD,LOWER (E08)



REF.NO.	PART NO.	DESCRIPTION	Q'TY
E08-1	28110-Z190510-GJA0	SHROUD	1
E08-2	19304-Z100210-0000	SHROUD, CYLINDER BODY	1
E08-3	90001-0612-01A0	HEXAGON SOCKET FLANGE FACE BOLT - SMALL SERIES	1
E08-4	90001-0612-01A0	HEXAGON SOCKET FLANGE FACE BOLT - SMALL SERIES	5

FIG.9 CARBURETOR ASSY. (E09)

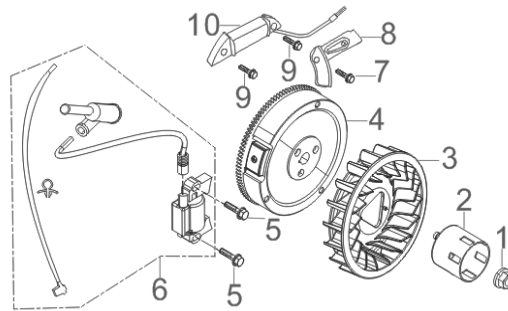


REF.NO.	PART NO.	DESCRIPTION	Q'TY
E09-1	16100-Z196810-00M0	CARBURETOR ASSY.	1
E09-2	17001-Z080110-00A0	AIR CLEANER SEAL GASKET	2
E09-3	16001-Z100110-00A0	CARBURETOR SEAL GASKET	1
E09-4	16003-Z0J0110-00A0	PLATE, CARBURETOR INSULATOR	1
E09-5	17002-Z0J0110-00A0	GASKET, INLET	1
E09-6	90684-Z030210-0000	WIRE CLIP	2

123 G8000-RELT PARTS LIST

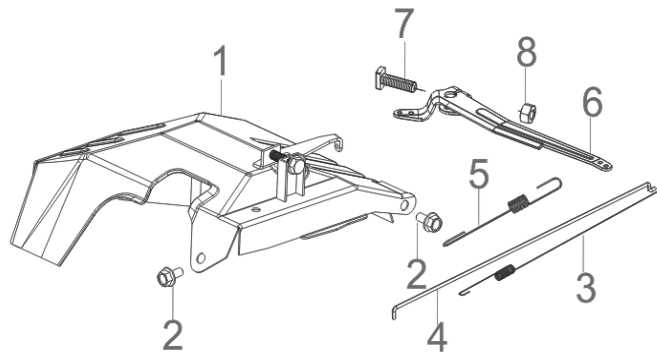
01/06/2022

FIG.10 FLYWHEEL / IMPELLER / STARTER PULLEY / IGNITION COIL (E10)



REF.NO.	PART NO.	DESCRIPTION	Q'TY
E10-1	13501-Z080110-00A0	NUT, FLYWHEEL	1
E10-2	28002-Z100210-0000	PULLEY, STARTER	1
E10-3	19352-Z100120-00A3	IMPELLER	1
E10-4	13510-Z190120-00A0	FLYWHEEL SUBASSEMBLY	1
E10-5	90001-0628-01A0	HEXAGON SOCKET FLANGE FACE BOLT - SMALL SERIES	2
E10-6	30400-Z310311-0001	COIL, IGNITION	1
E10-7	90001-0610-01A0	HEXAGON SOCKET FLANGE FACE BOLT - SMALL SERIES	1
E10-8	30001-Z170110-0000	CLAMP, CHARGE COIL	1
E10-9	90001-0628-01A0	HEXAGON SOCKET FLANGE FACE BOLT - SMALL SERIES	2
E10-10	30140-Z160230-0000	COIL SUBASSEMBLY, CHARGE	1

FIG.11 CONTROL ASSY, THROTTLE (E11)

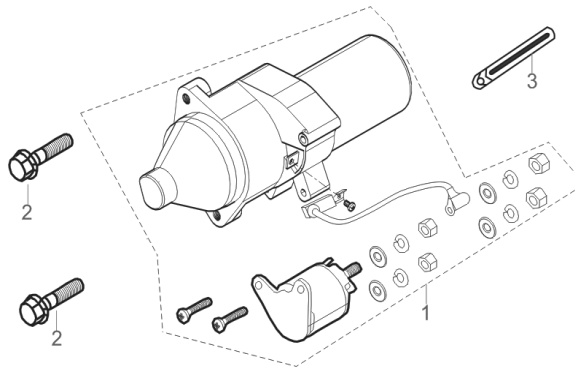


REF.NO.	PART NO.	DESCRIPTION	Q'TY
E11-1	16520-Z0J0210-0000	CONTROL ASSY, THROTTLE	1
E11-2	90001-0612-01A0	HEXAGON SOCKET FLANGE FACE BOLT - SMALL SERIES	2
E11-3	16012-Z080110-00A0	SPRING, THROTTLE VALVE RETURNING	1
E11-4	16062-Z100110-00A0	ROD, GOVERNEOR	1
E11-5	16063-Z0J0410-00A0	SPRING, GOVERNOR	1
E11-6	16070-Z100120-0000	GOVERNOR BRACKET SUBASSEMBLY	1
E11-7	16072-Z010110-00A0	BOLT, GOVERNOR SUPPORT	1
E11-8	90305-0600-31A0	HEXAGON NUT WITH FLANGE	1

123 G8000-RELT PARTS LIST

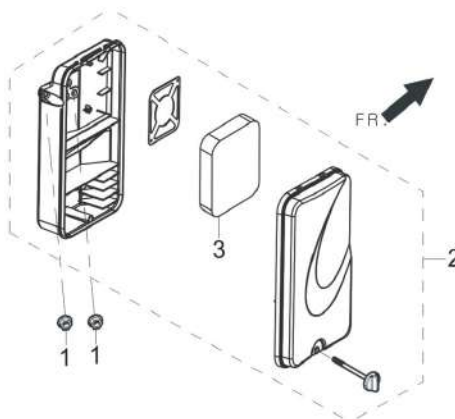
01/06/2022

FIG.12 MOTOR ASSY,STARTING .(E12)



REF.NO.	PART NO.	DESCRIPTION	Q'TY
E12-1	09100-Z170410-0000	MOTOR, STARTING	1
E12-2	90001-0835-01A0	HEXAGON SOCKET FLANGE FACE BOLT - SMALL SERIES	2
E12-3	90684-Z030120-0000	WIRE CLIP	1

FIG.13 CLEANER, AIR (F01)

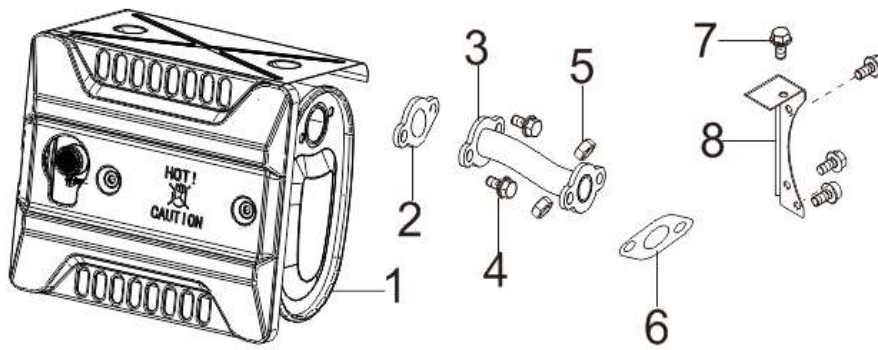


REF.NO.	PART NO.	DESCRIPTION	Q'TY
F01-1	90305-0600-31A0	HEXAGON NUT WITH FLANGE	2
F01-2	17100-Z100310-0000	AIR CLEANER	1

123 G8000-RELT PARTS LIST

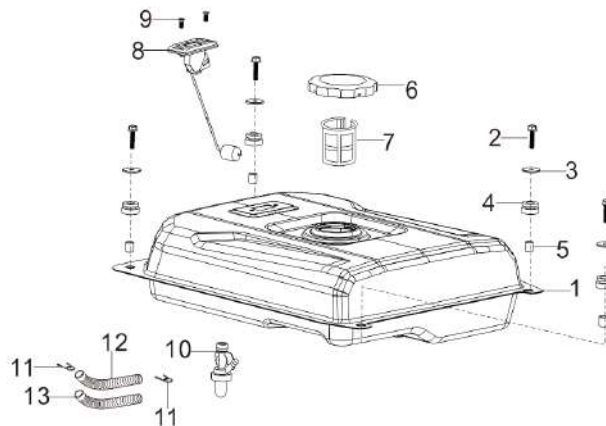
01/06/2022

FIG.14 MUFFLER ASSY. (F02)



REF.NO.	PART NO.	DESCRIPTION	Q'TY
F02-1	18100-YF30210-WFA0	MUFFLER ASSY.	1
F02-2	18001-Z190110-00A0	GASKET, EXHAUST OUTLET	1
F02-3	18150-Z710110-00A0	PIPE, EXHAUST	1
F02-4	90001-0830-03	BOLT	2
F02-5	90303-0800-31A0	TYPE 1 HEXAGON NUT	2
F02-6	18001-Z190110-00A0	GASKET, EXHAUST OUTLET	2
F02-7	90001-0816-03	BOLT	4
F02-8	18030-Y730110-0000	BRACKET,MUFFLER	1

FIG.15 TANK ASSY, FUEL (F03)

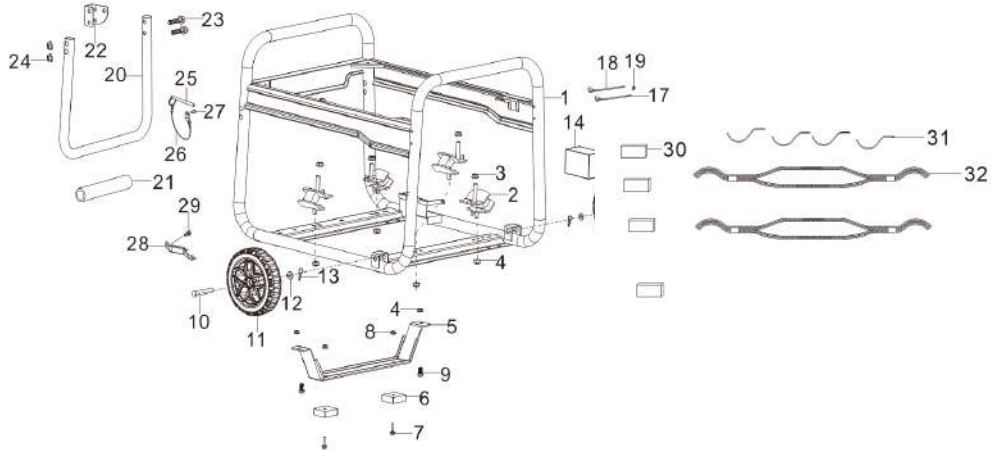


REF.NO.	PART NO.	DESCRIPTION	Q'TY
F03-1	16620-YF30210-GJA0	FUEL TANK	1
F03-2	90007-0625-A3	HEXAGON SOCKET FLANGE FACE BOLT - BIG SERIES - GRA	4
F03-3	90408-Y020110-0000	FLAT WASHER - GRADE A	4
F03-4	16601-Y020120-0000	SLEEVE, FUEL TANK RUBBER	4
F03-5	90683-Y020110-0000	BUSH	4
F03-6	16730-Y020130-H7A0	COVER, FUEL TANK	1
F03-7	16652-Y020120-00A0	STRAINER, FUEL	1
F03-8	37200-Y1J0110-H7A0	LEVELER ASSY, OIL	1
F03-9	90104-0512-53	BOLT	2
F03-10	16750-Y020211-0000	COCK ASSY, FUEL	1
F03-11	90740-Z010210-00A0	COLLAR	2
F03-12	90686-Z0D0210-00A0	TUBE, FUEL	1
F03-13	30431-Z010410-0000	JACKET, RUBBER	1

123 G8000-RELT PARTS LIST

01/06/2022

FIG.16 FRAME, ENGINE (F04)

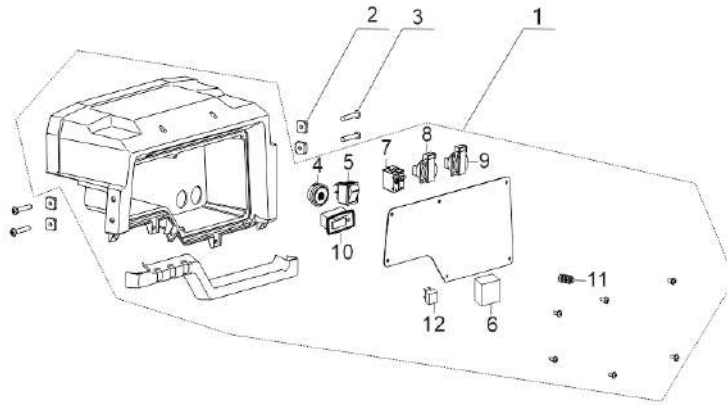


REF.NO.	PART NO.	DESCRIPTION	Q'TY
F04-1	51100-YF30311-H7A0	FRAME ASSY, ENGINE	1
F04-2	51012HY030120-0000	CUSHION, ENGINE FRAME REAR	4
F04-3	90306-1000-31A0	HEXAGON LOCK NUT WITH FLANGE	4
F04-4	90305-0800-31A0	HEXAGON LOCK NUT WITH FLANGE	6
F04-5	51016-Y0K0110-H7A0	SUPPORT, ENGINE FRAME SHOCK ABSORPTION	1
F04-6	51014HY940110-0000	SEAT, ENGINE FRAME SHOCK ABSORPTION	2
F04-7	90001-0620-03	HEXAGON SOCKET FLANGE FACE BOLT - SMALL SERIES	2
F04-8	90305-0600-31A0	HEXAGON LOCK NUT WITH FLANGE	2
F04-9	90001-0816-03	HEXAGON SOCKET FLANGE FACE BOLT - SMALL SERIES	2
F04-10	44020-Y470110-0100	SHAFT, FRONT WHEEL	2
F04-11	44110-Y3Y0110-GZ00	WHEEL, FRONT	2
F04-12	90408-Y090210-00A0	FLAT WASHER - GRADE A	2
F04-13	90501-Y2C0110-01A0	COTTER PIN	2
F04-14	31110-Y030710-00A0	BATTERY	1
F04-15	31142-YA60110-H7A0	CLAMP, BATTERY	1
F04-16	90007-0616-A3	HEXAGON SOCKET FLANGE FACE BOLT - BIG SERIES - GRA	2
F04-17	31114HY130310-0000	WIRE, CATHODE	1
F04-18	31112HY130310-0000	WIRE, ANODE	1
F04-19	90007-0612-A1A0	HEXAGON SOCKET FLANGE FACE BOLT - BIG SERIES - GRA	1
F04-20	54110-YF30111-H7A0	HANDLE TUBE ASSY	1
F04-21	54101-Y2C0110-Q200	SLEEVE, HANDLE RUBBER	1
F04-22	54113-YF30110-H7A0	SEAT, HANDLE TUBE CONNECTING	1
F04-23	90001-0895-03	HEXAGON SOCKET FLANGE FACE BOLT - SMALL SERIES	2
F04-24	90310-0800-33	NUT	2
F04-25	90504-Y910110-0000	PIN SHAFT	1
F04-26	90793-Y910110-00A0	Sling	1
F04-27	90005-0616-03	HEXAGONAL HEAD BOLT - FULL THREAD	1
F04-28	17003-Y030110-00A0	SUPPORT, ATR CLEANER	1
F04-29	90001-0612-01A0	HEXAGON SOCKET FLANGE FACE BOLT - SMALL SERIES	1
F04-30	53006-Y640110-0000	GASKET, RUBBER	4
F04-31	51195-Y640110-H700	RAIL LOCK BLOCK	4
F04-32	51194-YF30110-H700	TRANSPORTATION RAIL	2

123 G8000-RELT PARTS LIST

01/06/2022

FIG.17 PANEL SUBASSEMBLY, CONTROL (F05)

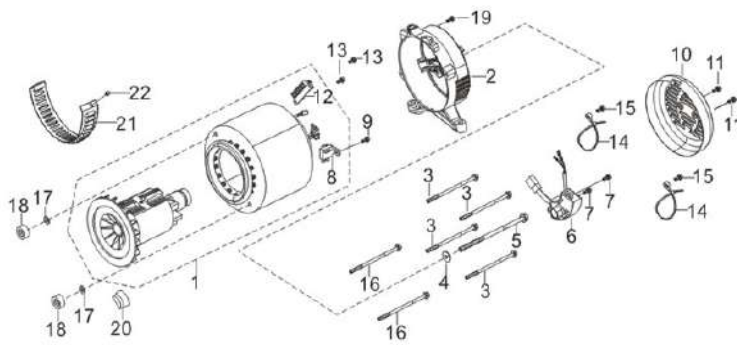


REF.NO.	PART NO.	DESCRIPTION	Q'TY
F05-1	35610-YF32010-H700	PANEL SUBASSEMBLY, CONTROL	1
F05-2	90007-0645-A3	BOLT	4
F05-3	90326-Y2V0110-00A0		4
F05-4	35220-Y3Y0110-0000	STARTING SWITCH	1
F05-5	35160-YDT0110-0000	SWITCH SUBASSEMBLY	1
F05-6	30008-YF30110-0000	CONTROL MODULE	1
F05-7	35648-Y050110-0000	AIR SWITCH	1
F05-8	35614-Y560110-0000	SOCKET SUBASSEMBLY, POWER SUPPLY	1
F05-9	35614-Y560110-0000	SOCKET SUBASSEMBLY, POWER SUPPLY	1
F05-10	35632-YMA0110-0000	TIMER	1
F05-11	35629-YF80110-0000	TERMINAL SUBASSEMBLY, GROUNDING	1
F05-12	35621-Y020110-0000	BRIDGE, RECTIFICATION	1

123 G8000-RELT PARTS LIST

01/06/2022

FIG.18 ROTOR/STATOR (F06)



REF.NO.	PART NO.	DESCRIPTION	QTY
F06-1	31300-YF30310-0000	MOTOR ASSY.	1
F06-2	30021-Y030310-00A0	MOTOR SUPPORT	1
F06-3	30048-Y030120-00A0	STATOR BOLT	4
F06-4	90408-Y030110-00A0	FLAT WASHER - GRADE A	1
F06-5	30049-Y030120-00A0	BOLT, ROTOR	1
F06-6	30060-YF30110-0000	REGULATOR, VOLTAGE	1
F06-7	90001-0516-01A0	HEXAGON SOCKET FLANGE FACE BOLT - SMALL SERIES	2
F06-8	31320-Y030120-0000	BRUSH SUBASSEMBLY, CARBON	1
F06-9	90001-0516-01A0	HEXAGON SOCKET FLANGE FACE BOLT - SMALL SERIES	1
F06-10	30022-Y030110-GJ00	MOTOR TAIL COVER	1
F06-11	90001-0512-03	HEXAGON SOCKET FLANGE FACE BOLT - SMALL SERIES	2
F06-12	31303HY090110-0000	BLOCK, TERMINAL	1
F06-13	90001-0516-01A0	BOLT	2
F06-14	90727-Y020110-00A0	BAND	2
F06-15	90001-0516-01A0	BOLT	2
F06-16	31316-Y030130-00A0	STATOR BOLT	2
F06-17	90403-0500-03	STANDARD SPRING WASHER	2
F06-18	31317-Y030110-0000	NUT, STATOR	2
F06-19	90001-0516-01A0	HEXAGON SOCKET FLANGE FACE BOLT - SMALL SERIES	1
F06-20	30023-Y030120-0000	STOPPER, MOTOR RIGHT COVER	1
F06-21	30024-Y730110-0000	SHROUD, MOTOR	1
F06-22	90001-0510-01A0	HEXAGON SOCKET FLANGE FACE BOLT - SMALL SERIES	1