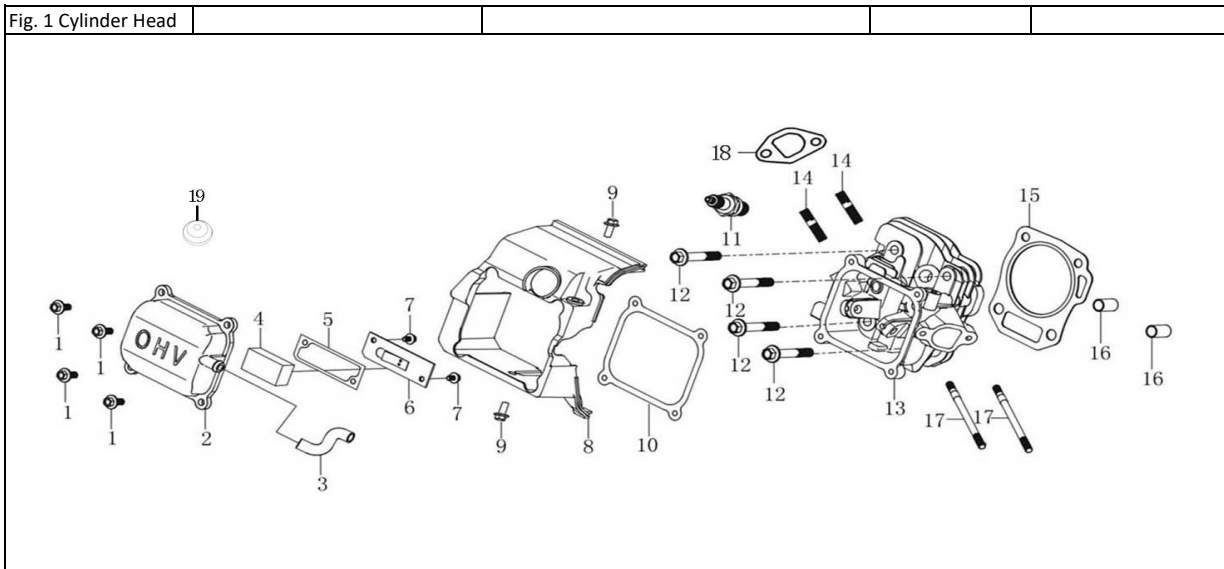


123 G3500i-LE Parts List

22/07/2022

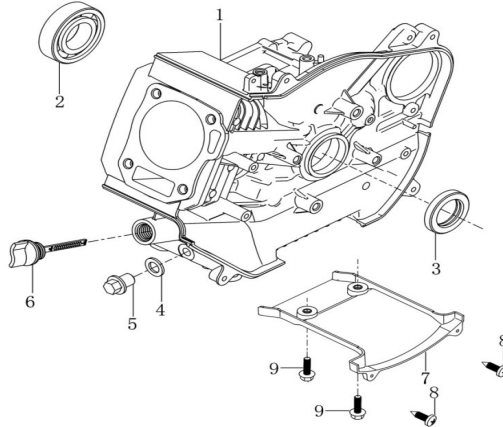


Ser.No.	Prefix	Part No.	Description	Quantity	BE Part Number
1	LON	380140215-0003	BOLT ,FLANGE M6X14	4	
2	LON	120230109-0001	COVER , HEAD	1	
3	LON	380741218-0001	TUBE , BREATHER	1	
4	LON	150290027-0001	FILTER, HEAD COVER	1	
5	LON	110850018-0001	GASKET, CAP, BREATHER	1	
6	LON	110840024-0001	CAP, BREATHER CHAMBER	1	
7	LON	380140429-0001	BOLT ,FLANGE M5X10	2	
8	LON	160190092-0001	SHROUD COMP	1	
9	LON	380140011-0004	BOLT , FLANGE , 6X10	2	
10	LON	120250043-0001	PACKING , HEAD COVER	1	
11	LON	270960025-0001	PLUG , SPARK F7TC	1	
12	LON	380140336-0001	BOLT , FLANGE ,M8X60	4	
13	LON	120080532-0001	HEAD COMP ,.CYLINDER	1	
14	LON	380180098-0001	BOLT , STUD , EX. M8X34	2	
15	LON	120150193-0001	GASKET , CYLINDER	1	
16	LON	380600117-0001	PIN,DOWEL	2	
17	LON	380180095-0001	BOLT,STUD,IN M6X96	2	
18	LON	180650065-0001	GASKET,EX.PIPE	1	
19	LON	290340029-0001	Rubber	1	

123 G3500i-LE Parts List

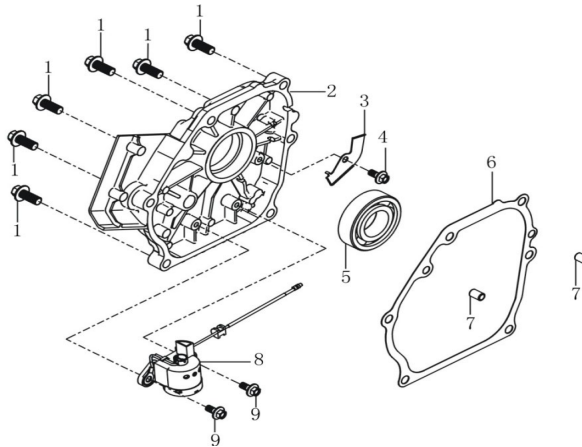
22/07/2022

Fig 2 Crankcase



Ser.No.	Prefix	Part No.	Description	Quantity	BE Part Number
1	LON	110810324-0001	CRANK CASE	1	
2	LON	380630417-0001	BEARING 6205	1	
3	LON	380650347-0001	OIL SEAL 25×41.25×6	1	
4	LON	380450514-0001	WASHER,DRAIN PLUG 10×16×1.5	1	
5	LON	110260025-0001	BOLT ,DRAIN PLUG M10×1.25×15	1	
6	LON	110690073-0001	CAP ASSY.	1	
7	LON	160200054-0001	BOTTOM, GUARD SHIELD	1	
8	LON	380310117-0001	SELT THREADING SCREW	2	
9	LON	380140215-0003	BOLT , FLANGE M6X14	2	

Fig 3 Crankcase Cover

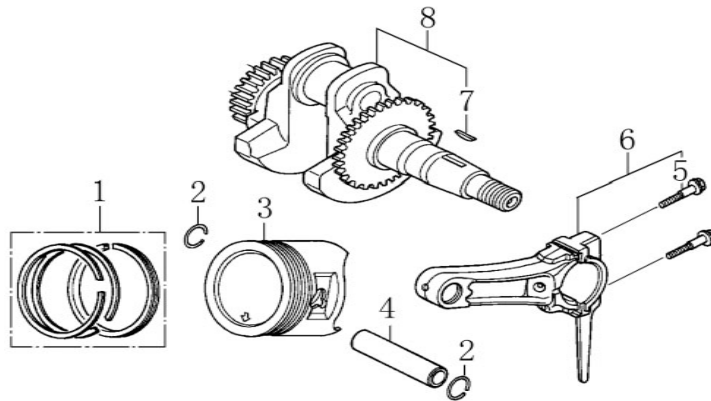


Ser.No.	Prefix	Part No.	Description	Quantity	BE Part Number
1	LON	380140028-0004	BOLT ,FLANGE M8×32	6	
2	LON	110820122-0001	COVER, CRANKCASE	1	
3	LON	110480032-0001	PLATE	1	
4	LON	380140011-0004	BOLT , FLANGE M6×10	1	
5	LON	380630417-0001	BEARING 6205	1	
6	LON	110830031-0001	PACKING ,CASE COVER	1	
7	LON	380600120-0001	PIN ,DOWEL 8×14	2	
8	LON	281850237-0001	OIL LEVEL SWITCH	1	
9	LON	380140215-0003	BOLT , FLANGE M6×14	2	

123 G3500i-LE Parts List

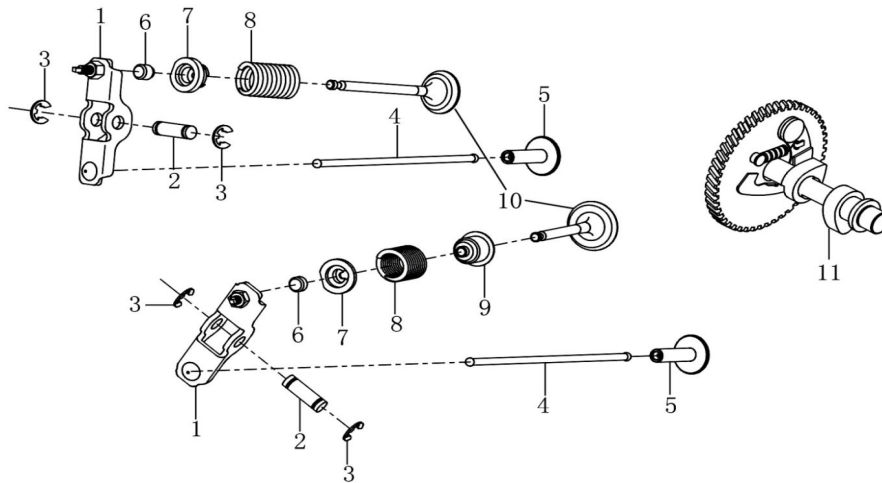
22/07/2022

Fig 4 Crankshaft Piston



Ser.No.	Prefix	Part No.	Description	Quantity	BE Part Number
1	LON	130070187-0001	RING SET	1	
2	LON	380560056-0001	CLIP , PISTON PIN	2	
3	LON	130030208-0001	PISTON	1	
4	LON	130060031-0001	PIN , PISTON	1	
5	LON	130180001-0001	BOLT,CONNECTING ROD	2	
6	LON	130150054-0001	ROD ASSY ., CONNECTING	1	
7	LON	380620050-T040	KEY	1	
8	LON	130290447-0001	CRANKSHAFT COMP	1	

Fig 5 Rocker, Camshaft

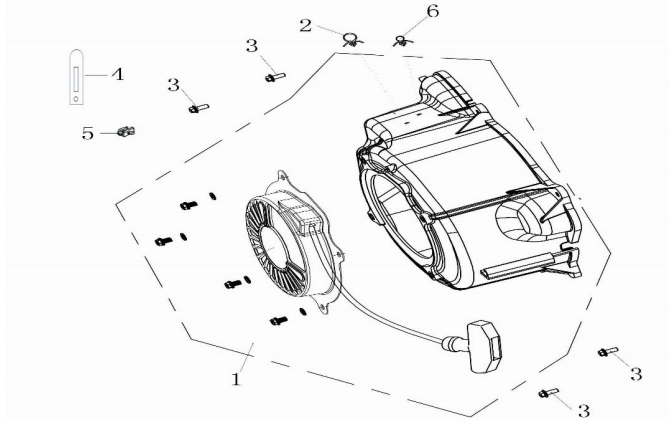


Ser.No.	Prefix	Part No.	Description	Quantity	BE Part Number
1	LON	140450056-0001	ARM COMP.	2	
2	LON	141730001-0001	T058	2	
3	LON	380570024-0003	LOCKER	4	
4	LON	140670041-0001	ROD,PUSH	2	
5	LON	140690003-0001	LIFTER VALVE	2	
6	LON	140320001-0001	ROTATOR,VALVE	2	
7	LON	140380017-0001	RETAINER,VALVE SPRING	2	
8	LON	140340022-0001	SPRING , VALVE	2	
9	LON	140400016-0001	SEAL,GUIDE	1	
10	LON	500550041-0001	VALVE COMP.	1	
11	LON	140020114-0001	CAMSHAFT ASSY.	1	

123 G3500i-LE Parts List

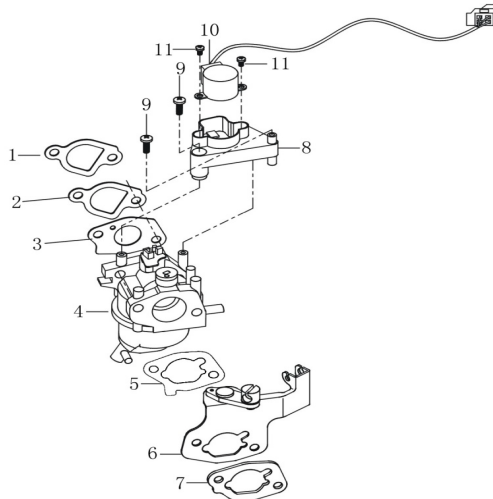
22/07/2022

Fig 6 Starter Subassembly



Ser.No.	Prefix	Part No.	Description	Quantity	BE Part Number
1	LON	160210121-0001	COVER COMP., FAN	1	
2	LON	380930108-0001	LOCATION CABLE CLIP	1	
3	LON	380140002-0007	BOLT ,FLANGE M6×16	4	
4	LON	380940346-0001	CABLE CLEAT	1	
5	LON	140280001-0001	CLIP,HARNESS	1	
6	LON	380930024-0001	LOCATION CABLE CLIP	1	

Fig 7 Carburetor

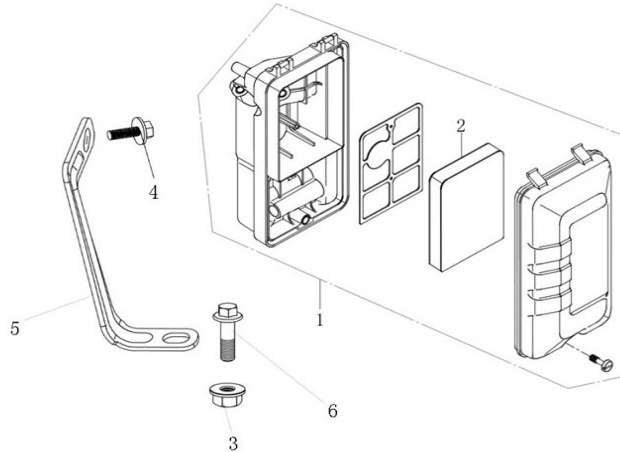


Ser.No.	Prefix	Part No.	Description	Quantity	BE Part Number
1	LON	170430060-0001	PACKING , INSULATOR	1	
2	LON	170440099-0001	INSULATOR ,CARBURETOR	1	
3	LON	170430048-0001	PACKING ., CARBURETOR	1	
4	LON	170021727-0001	CARBURETOR	1	
5	LON	170430140-0001	GASKET,CARBURETOR	1	
6	LON	171480028-0001	BRACKET CHOKE	1	
7	LON	170430180-0001	SPACER COMP.,AIR CLEANER	1	
8	LON	660920001-0001	BRACKET, ELETROMOTOR	1	
9	LON	380200046-0002	SCREW , TAPPING , M4×12	2	
10	LON	660910003-0001	RECOIL START ASSY	1	
11	LON	380200069-0002	SCREW, M3X5	2	

123 G3500i-LE Parts List

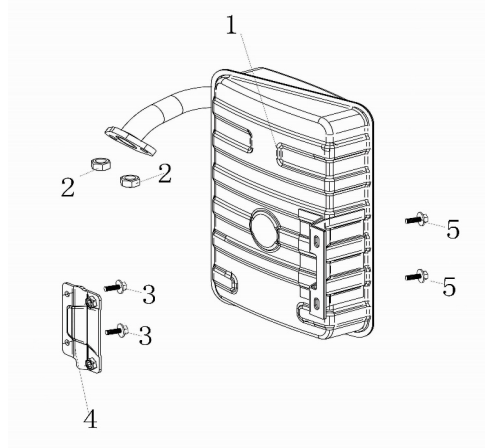
22/07/2022

Fig 8 Air Cleaner



Ser.No.	Prefix	Part No.	Description	Quantity	BE Part Number
1	LON	180020828-0001	AIR CLEANER	1	
2	LON	180130257-0001	FILTER, OUTER	1	
3	LON	380370048-0001	NUT, FLANGE	1	
4	LON	380140001-0006	BOLT, FLANGE,	1	
5	LON	300710112-0001	Air cleaner stay	1	
6	LON	380140002-0007	BOLT, FLANGE,	1	

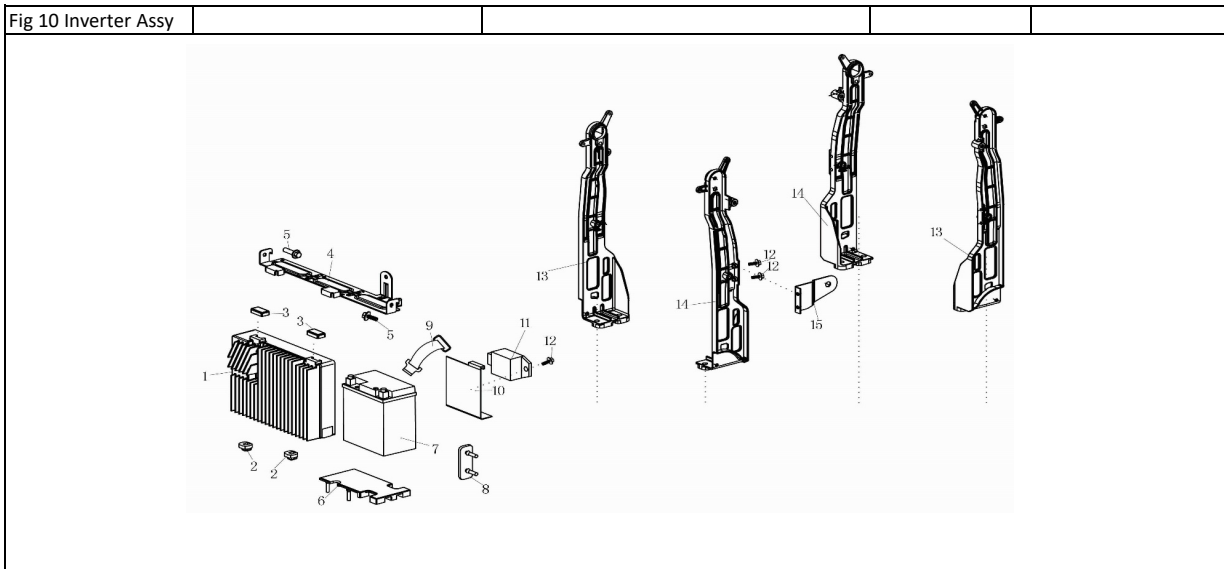
Fig 9 Muffler



Ser.No.	Prefix	Part No.	Description	Quantity	BE Part Number
1	LON	180690204-0001	MUFFLER COMP	1	
2	LON	380340005-0005	NUT M8	2	
3	LON	380140001-0005	BOLT, FLANGE,	2	
4	LON	180990090-0001	MUFFLER BRACKET	1	
5	LON	380140013-0005	BOLT, FLANGE,	2	

123 G3500i-LE Parts List

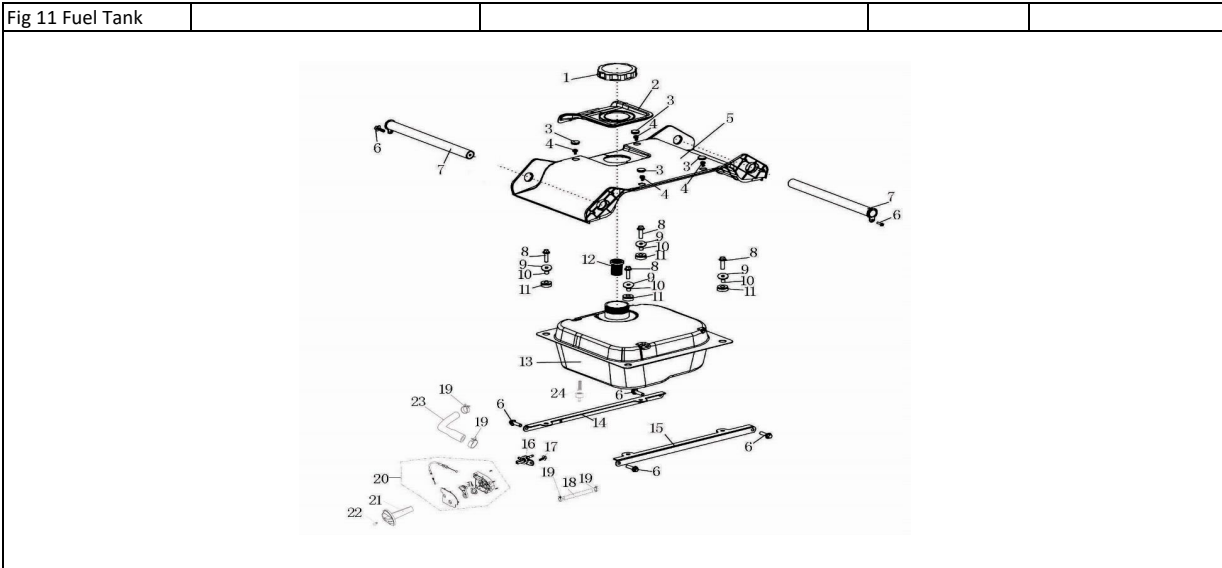
22/07/2022



Ser.No.	Prefix	Part No.	Description	Quantity	BE Part Number
1	LON	660900037-0001	INVERTER ASSY.	1	
2	LON	290340044-0001	Rubber	2	
3	LON	290340043-0001	Rubber	2	
4	LON	661930002-0001	Inverter bracker	1	
5	LON	380140002-0007	BOLT, FLANGE	2	
6	LON	290340041-0001	Rubber	1	
7	LON	271060304-0001	Storage battery	1	
8	LON	272320066-0001	Rubber	1	
9	LON	380900247-0001	Hoop	1	
10	LON	339170002-0001	Storage battery bracker	1	
11	LON	272900027-0001	Charger	10	
12	LON	380140167-0002	BOLT, FLANGE	3	
13	LON	662470001-0001	Framework	2	
14	LON	662470002-0001	Framework	2	
15	LON	196970001-0001	start rope bracket	1	

123 G3500i-LE Parts List

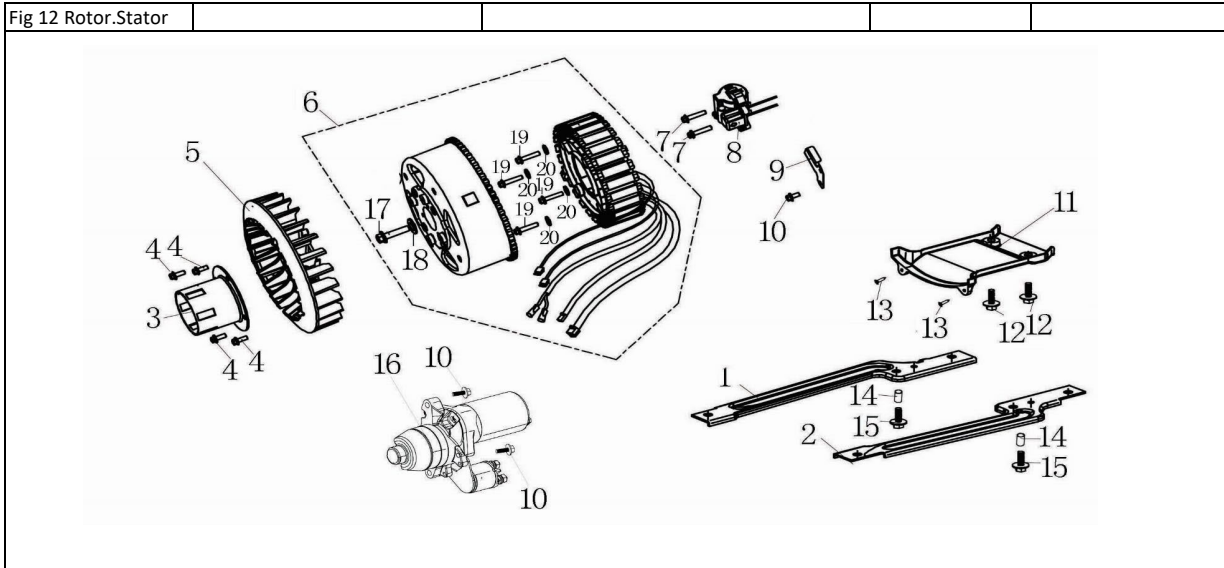
22/07/2022



Ser.No.	Prefix	Part No.	Description	Quantity	BE Part Number
1	LON	170870136-0001	CAP COMP.,FUEL FILLER	1	
2	LON	170620012-0001	GASKET,FUEL TANK OIL	1	
3	LON	273330013-0001	GRID INSERTED DEACTIVATION SWITCH	4	
4	LON	380690017-0001	Phillips small head screw	4	
5	LON	302850007-0001	FRAME TOP COVER	1	
6	LON	380140001-0006	BOLT, FLANGE,	6	
7	LON	320400051-0001	PIPE,HANDLE	2	
8	LON	380140103-0004	BOLT, FLANGE, M6×25	4	
9	LON	380450444-0002	WASHER	4	
10	LON	170710014-0001	COLLAR, TANK CUSHION	4	
11	LON	170700050-0001	RUBBER, FUEL CUSHION	4	
12	LON	170720016-0001	FILTER, FUEL TANK	1	
13	LON	170501149-0001	TANK COMP., FUEL	1	
14	LON	172840038-0001	Tank, Install Support (Left)	1	
15	LON	172840039-0001	Tank, Install Support (Right)	1	
16	LON	170980110-0001	COCK ASSY.,FUEL	1	
17	LON	380140001-0006	BOLT, FLANGE	1	
18	LON	380750693-0001	TUBE,FUEL	1	
19	LON	380960170-0002	LOOP,TUBE	4	
20	LON	661920014-0001	Tubing	1	
21	LON	173260008-0001	Oil Switch Knob	1	
22	LON	381210034-0001	Screw	1	
23	LON	380750833-0001	TUBE,FUEL	1	
24	LON	170660110-0001	JOINT ASSY.,FUEL TANK	1	

123 G3500i-LE Parts List

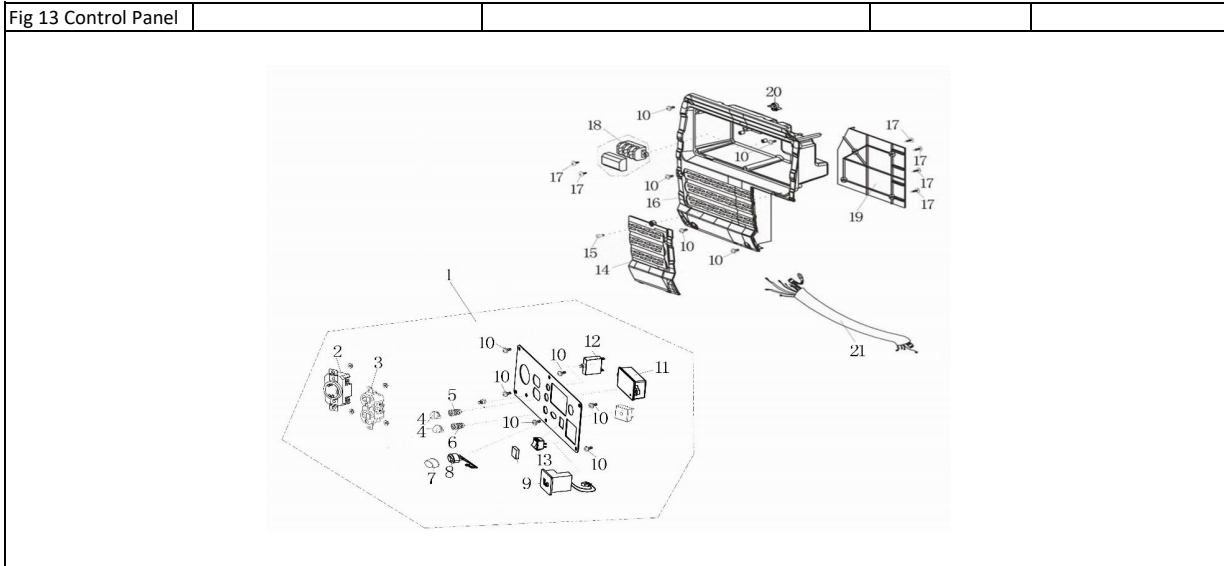
22/07/2022



Ser.No.	Prefix	Part No.	Description	Quantity	BE Part Number
1	LON	341950005-0001	Engine support plate (left)	1	
2	LON	341950006-0001	Engine support plate (right)	1	
3	LON	193590035-0001	PULLEY, STARTER	1	
4	LON	380140002-0007	BOLT,FLANGE	4	
5	LON	660130007-0001	MOTOR FAN	1	
6	LON	660080456-0001	ALTERNATOR ASSY.	1	
7	LON	380140003-0005	BOLT ,FLANGE	2	
8	LON	270920357-0001	COIL ASSY.,IGNITION	1	
9	LON	110480030-0001	Motor stator line pressing board	1	
10	LON	380140001-0006	BOLT ,FLANGE	3	
11	LON	160200054-0001	Wind guider	1	
12	LON	380200014-0001	SCREW,PAN	2	
13	LON	380310117-0001	SELT THREADING SCREW	2	
14	LON	380600117-0001	PIN,DOWEL	2	
15	LON	380140091-0005	BOLT ,FLANGE	2	
16	LON	270360127-0001	STARTER MOTOR	1	
17	LON	380140597-0001	BOLT ,FLANGE	1	
18	LON	380451024-0001	FLAT WASHER	1	
19	LON	380190221-0001	BOLT,FLANGE	4	
20	LON	380460003-0003	WASHER,SPRING,	4	

123 G3500i-LE Parts List

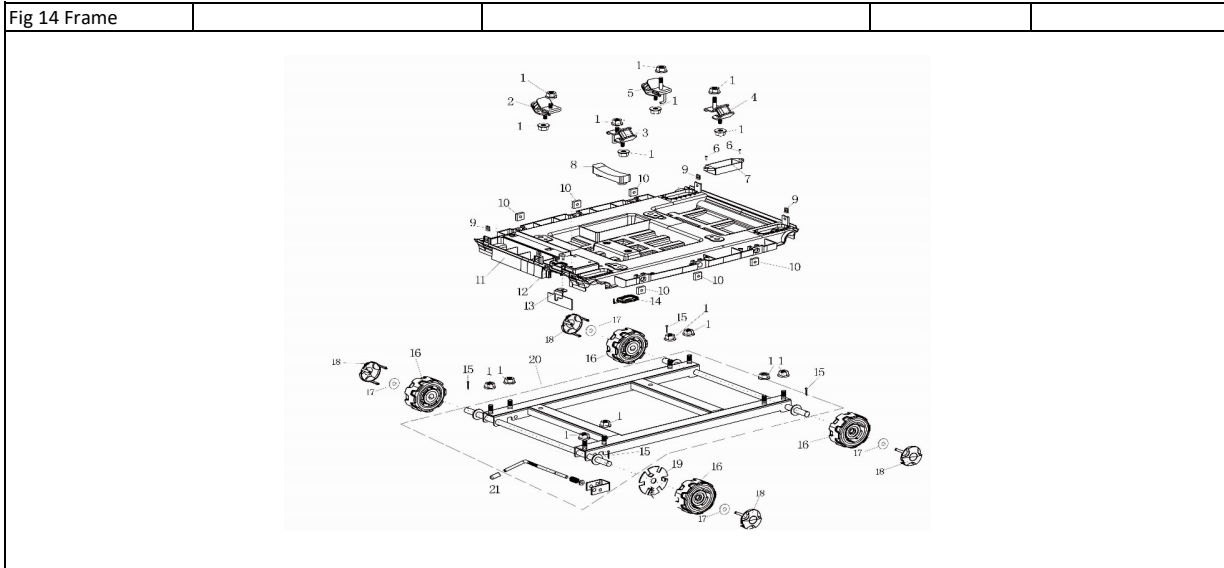
22/07/2022



Ser.No.	Prefix	Part No.	Description	Quantity	BE Part Number
1	LON	271851972-0001	CONTROL PANEL ASSY	1	
2	LON	271890003-0001	POWER SOCKET COMBINATION	1	
3	LON	271890006-0001	POWER SOCKET COMBINATION	2	
4	LON	273330006-0001	GRID SOCKET WATERPROOF GLUE SETS	2	
5	LON	381070009-0001	GRID SOCKET (RED)	1	
6	LON	381070009-0002	GRID SOCKET (BLACK)	1	
7	LON	273330005-0001	IDLING SWITCH WATERPROOF CAP	1	
8	LON	173400002-0001	DEACTIVATION SWITCH	1	
9	LON	381070010-0001	DC SOCKET (WITH THE FLOW DEVICE)	1	
10	LON	380690017-0001	Philips small head screw M5X12	11	
11	LON	273140003-0001	Digital display meter	1	
12	LON	271290154-0001	Control panel wiring harness	1	
13	LON	271810035-0001	SWITCH ASSY.,COMBINATION	1	
14	LON	662460001-0001	Storage battery maintenance cover	1	
15	LON	381810002-0001	Screw	1	
16	LON	271970023-0001	Panel	1	
17	LON	380310135-0001	SELT THREADING SCREW	6	
18	LON	271240004-0001	line connection	1	
19	LON	661890002-0001	inverter wind guide	1	
20	LON	380930108-0001	LOCATION CABLE CLIP	1	
21	LON	272040142-0001	HARNESS ASSY.WIRE	1	

123 G3500i-LE Parts List

22/07/2022

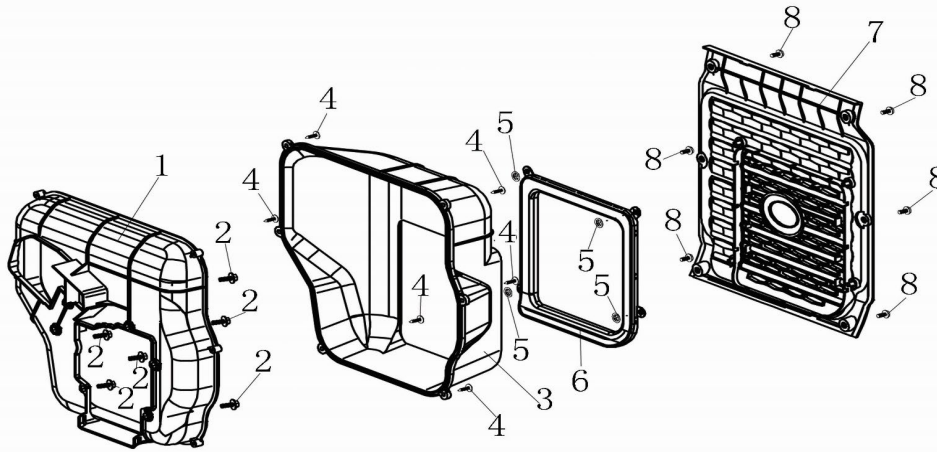


Ser.No.	Prefix	Part No.	Description	Quantity	BE Part Number
1	LON	380370007-0004	NUT M8	16	
2	LON	300780028-0001	Shock absorption	1	
3	LON	300780033-0001	Shock absorption	1	
4	LON	300780032-0001	Shock absorption	1	
5	LON	300780029-0001	Shock absorption	1	
6	LON	380310135-0001	SELT THREADING SCREW	2	
7	LON	271000233-0001	Ignition	1	
8	LON	290340040-0001	Shock absorption	1	
9	LON	380420041-0001	Nut	4	
10	LON	380430031-0001	Square nut	6	
11	LON	303240005-0001	Motherboard	1	
12	LON	380140167-0002	BOLT, FLANGE	1	
13	LON	661070002-0001	Wheel restrict	1	
14	LON	381000309-0001	Block up	1	
15	LON	380590010-0003	Pin	4	
16	LON	660690040-0001	Wheel	4	
17	LON	380450516-0001	FLAT WASHER	4	
18	LON	660720002-0001	Wheel avoid dust	4	
19	LON	660760002-0001	Wheel restrict	1	
20	LON	300720456-0001	FRAME COMP	1	
21	LON	661080003-0001	Wheel restrict	1	

123 G3500i-LE Parts List

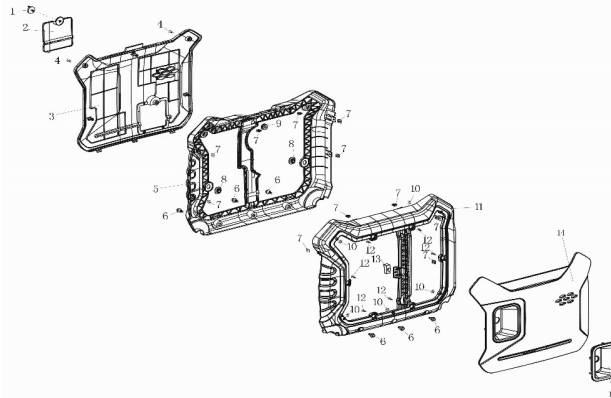
22/07/2022

Fig 15 Protector Muffler



Ser.No.	Prefix	Part No.	Description	Quantity	BE Part Number
1	LON	180960164-0001	Muffler cove	1	
2	LON	380140167-0002	BOLT, FLANGE	6	
3	LON	180960163-0001	Muffler cove	1	
4	LON	380310135-0001	SELT THREADING SCREW	6	
5	LON	380490019-0001	LOCK WASHER	4	
6	LON	661880008-0001	Wind guider	1	
7	LON	661900003-0001	Window	1	
8	LON	380690017-0001	Philips small head screw	6	

Fig 16 Appearance Cover



Ser.No.	Prefix	Part No.	Description	Quantity	BE Part Number
1	LON	662490001-0001	Swer	1	
2	LON	110630006-0001	Oil examine window	1	
3	LON	661860004-T645	Appearance cover (Left)	1	85.591.240
4	LON	381810002-0001	Screw	2	
5	LON	661840003-0001	Generator cover	1	
6	LON	380100038-0001	Bolt	6	
7	LON	380420041-0001	Nut	12	
8	LON	170700132-0001	Rubber	2	
9	LON	170700131-0001	Rubber	1	
10	LON	380490019-0001	LOCK WASHER	5	
11	LON	661850003-0001	Generator cover	1	
12	LON	380310135-0001	SELT THREADING SCREW	6	
13	LON	290340042-0001	Rubber	1	
14	LON	661870004-T645	Appearance cover (Right)	1	85.591.240
15	LON	661940004-0001	Pull on the rope handle decoration cover	1	